

# EVO3 PARTS BOOK



**TeamSport**  
*#1 in UK Indoor Karting*

## TEAMSPORT READING



# CONTENTS

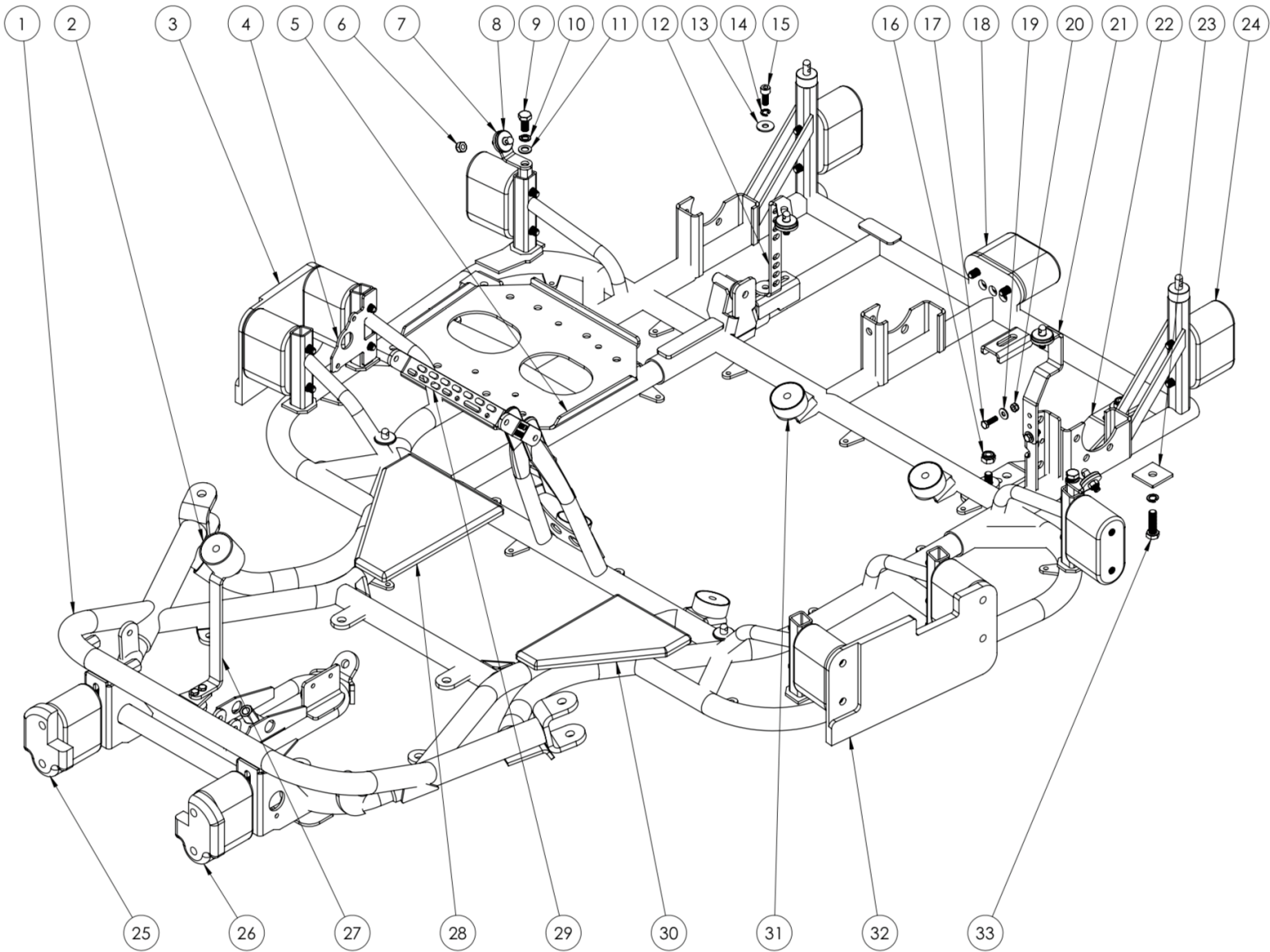
CHASSIS	1
WRAP & BODYWORK	3
PEDALS	6
MASTER CYLINDER	8
STEERING	10
FUEL SYSTEM	13
SEAT CRADLE	15
DRIVE TENSIONER	17
BRAKE CALIPER	19
REAR AXLE	20
WHEELS & TYRES	22
ENGINE	23
PATTERN GASKETS	26
PATTERN PARTS	27
GEARBOX	29
EXHAUST	30

*Part Prices subject to change without notification*

*All prices exclude VAT & delivery where applicable*



# CHASSIS





# CHASSIS

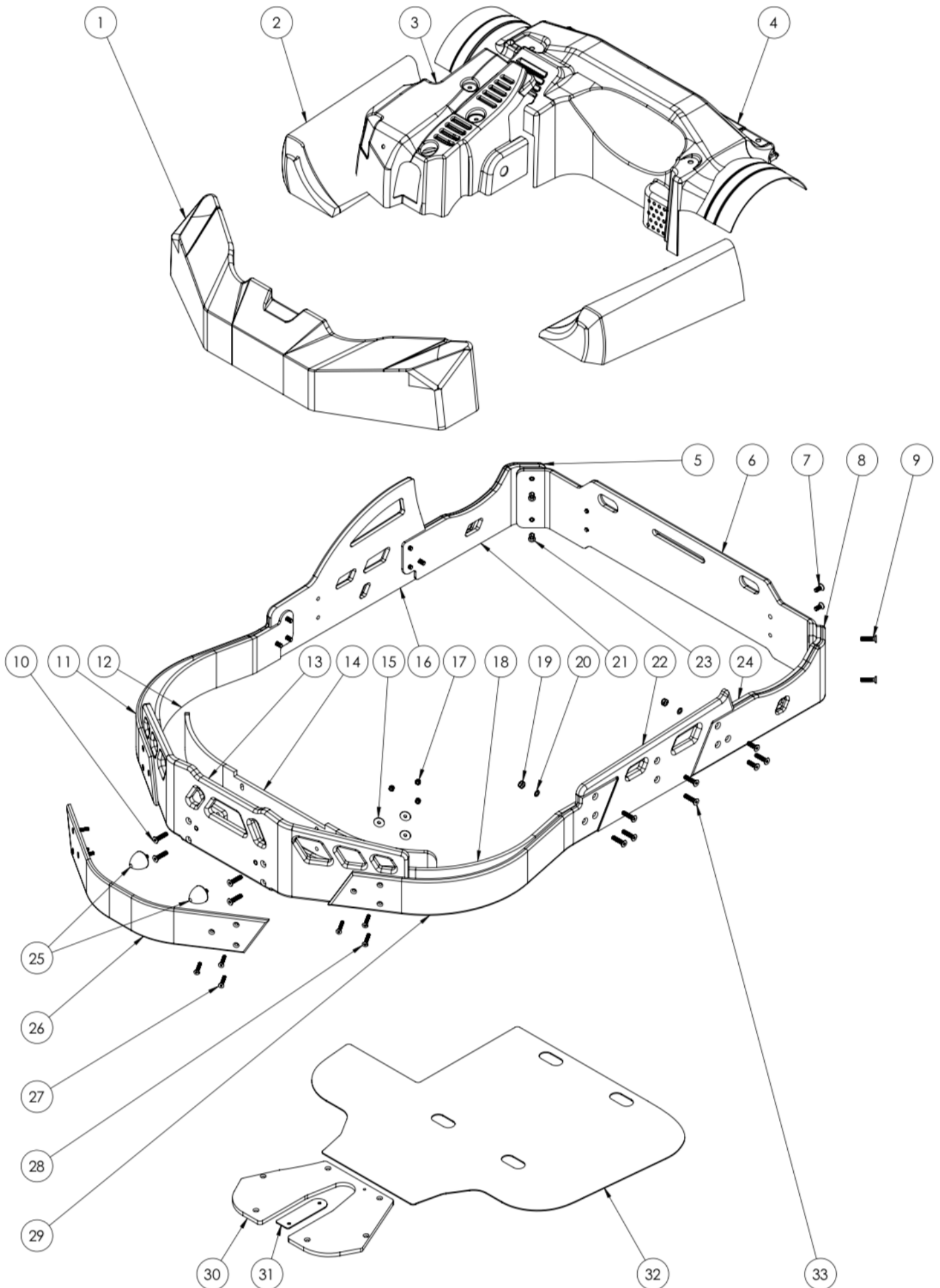
ITEM No.	PART No.	DESCRIPTION	PRICE
1	034-0006	Evo3 Chassis*	£720.00
2	080-0142	Ø50mm x 40mm Cylindrical Mounting Bobbin	£3.00
3	124-0022	Evo3 RH Pod Side-to-Front Inner Spacer (BKT494)	£7.00
4	045-0031	NG & Evo3 Fuel Pump Mount Plate (1882)	£5.50
5	171-0071	NG1 & Evo3 Engine Mounting Tray (1981)	£25.00
6	080-0114	M8 Nyloc Nut	£0.10
7	171-0089	Evo3 Rear Pod Cover Mount (1998)	£8.00
8	171-0139	Small Bodywork Mount Bolt (84688)	£3.50
9	080-0082	M10 x 20 HEX (1998-to-Chassis)	£0.20
10	080-0191	M10 Spring Washer	£0.05
11	080-0186	M10 'A' Washer	£0.05
12	171-0086	Evo3 Rear Belt Guard Support (1992)	£8.00
13	080-0188	M8 'C' Washer	£0.05
14	080-0190	M8 Spring Washer	£0.10
15	080-0040	M8 x 20 CAP (1992-to-Chassis)	£0.15
16	080-0108	M10 Nyloc Nut	£0.15
17	080-0095	M6 x 20 HEX (1339 & 1973-to-Chassis)	£0.10
18	080-0154	Vertical Impact Buffer (Short-Stud)	£11.00
19	080-0135	¼" Washer	£0.10
20	080-0112	M6 Nyloc Nut	£0.10
21	171-0080	Evo3 LH Axle Cover Support (1973)	£7.00
22	171-0040	Brake Disc Skid Guard (1263)	£5.50
23	080-0161	Square Washer (1249)	£1.00
24	080-0165	Vertical Impact Buffer (Long-Stud)	£12.00
25	121-0144	Notched Front Bumper Spacer RH (BKT336)	£3.00
26	121-0143	Notched Front Bumper Spacer LH (BKT335)	£3.00
27	085-0063	Lower Nassau Panel Bracket (1339)	£4.00
28	121-0166	Evo3 Footplate RH (BKT503-RH) **	£6.00
29	085-0047	Upper Nassau Panel Bracket (1358)	£2.50
30	121-0165	Evo3 Footplate LH (BKT503-LH) **	£6.00
31	080-0145	Ø50mm x 20mm Cylindrical Mounting Bobbin	£3.00
32	124-0021	Evo3 LH Pod Side-to-Front Inner Spacer (BKT493)	£8.00
33	080-0084	M10 x 35 HEX (1263-to-Chassis)	£0.20

\*Please specify '10 or 14 Gauge' depending on spec originally requested

\*\*Subject to kart specification



# WRAP & BODYWORK





# WRAP & BODYWORK

ITEM No.	PART No.	DESCRIPTION	PRICE
1	094-0000	NG Nose Cone MK2 (19/826)	£58.00
2	093-0015	Stilo Pod Cover (Pair)	£31.00
3	100-1039	Evo3 Engine Cover (19/827)	£45.00
4	100-1036	Evo3 Axle Cover (18/797)	£86.00
5	124-0006	Rear Outer Corner RH (BKT454-RH)	£16.00
6	121-0094	High Rear Bumper (BKT352)	£39.00
7	080-0144	M10 x 25 CSK (Rear Bumper-to-Buffers)	£0.20
8	124-0007	Rear Outer Corner LH (BKT454-LH)	£16.00
9	080-0182	M10 x 35 CSK (Rear Corner-to-Rear Bumper)	£0.25
10	080-0183	M10 x 55 CSK (Front Bumper-to-Buffers)	£0.25
11	124-0009	Front Outer Corner RH (BK436-RH)	£15.00
12	124-0011	Front Inner Corner RH (BKT437-RH)	£15.00
13	121-0153	High Angled Front Bumper w/ Winglets (BKT478)	£38.00
14	121-0080	Front Inner Spring (BKT212)	£20.00
15	080-0132	M8 Repair Washer	£0.20
16	124-0018	Side Bumper w/ Shark Fin RH (BKT442)	£32.00
17	080-0114	M8 Nyloc Nut	£0.10
18	124-0010	Front Inner Corner LH (BKT437-LH)	£15.00
19	080-0108	M10 Nyloc Nut	£0.15
20	080-0186	M10 'A' Washer	£0.05
21	124-0002	Rear Inner Corner RH (BKT455-RH)	£15.00

*Continued next page...*

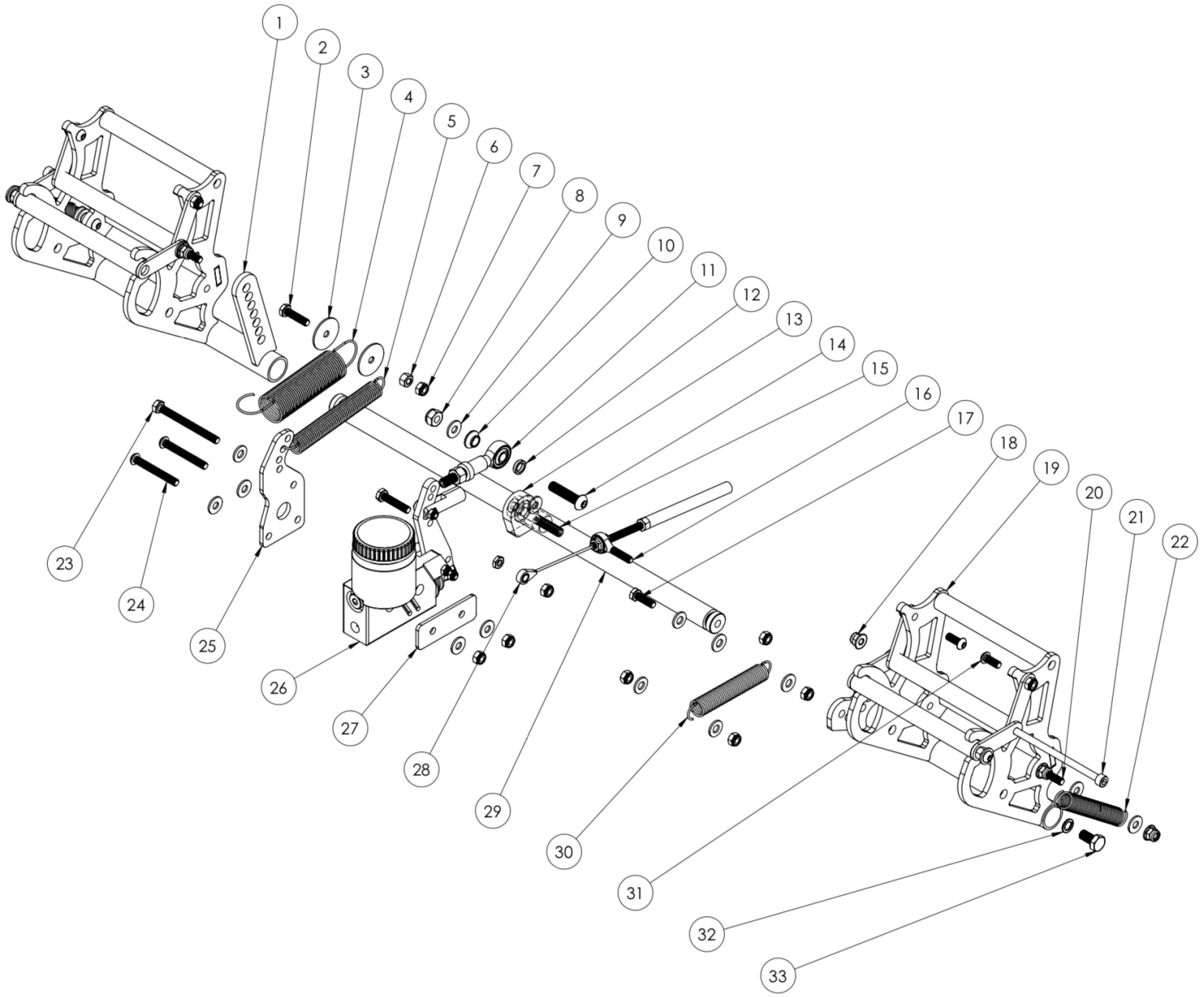


# WRAP & BODYWORK

ITEM No.	PART No.	DESCRIPTION	PRICE
22	124-0012	Side Bumper LH (BKT435-LH)	£25.00
23	080-0004	Rear Bumper Rivet Nut	£0.50
24	124-0001	Rear Inner Corner LH (BKT455-LH)	£15.00
25	080-0157	Parabolic Nose Cone Bobbin	£5.90
26	121-0010	Angled Front Outer Spring (BKT355)	£20.00
27	080-0064	M8 x 45 CSK (Outer Spring-to-Front Bumper)	£0.25
28	080-0066	M8 x 55 CSK (Outer Corner-to-Front Bumper)	£0.25
29	124-0008	Front Outer Corner LH (BKT436-LH)	£15.00
30	099-0038	Evo3 Front Floor Plate (BKT448)	£25.00
31	099-0039	Evo3 Front Inner Floor Plate (BKT481)	£2.00
32	099-0037	Evo3 Lower Floor Tray (BKT441)	£28.00
33	080-0238	M10 x 40 CSK (Side Bumper-to-Buffers)	£0.25
34	097-0010	Standard Nassau Panel	£8.50
35	080-0116	Axle Cover Locking Pin	£0.45
36	080-0005	Locking Pin Retaining Lanyard	£1.85
37	080-0000	M10 CSK Washer (83352)	£1.20
38	080-0226	M10 x 16 CSK (Nassau Panel-to-Bobbin)	£0.20
39	085-0064	Custom Graphics Kit	£75.00



# PEDALS

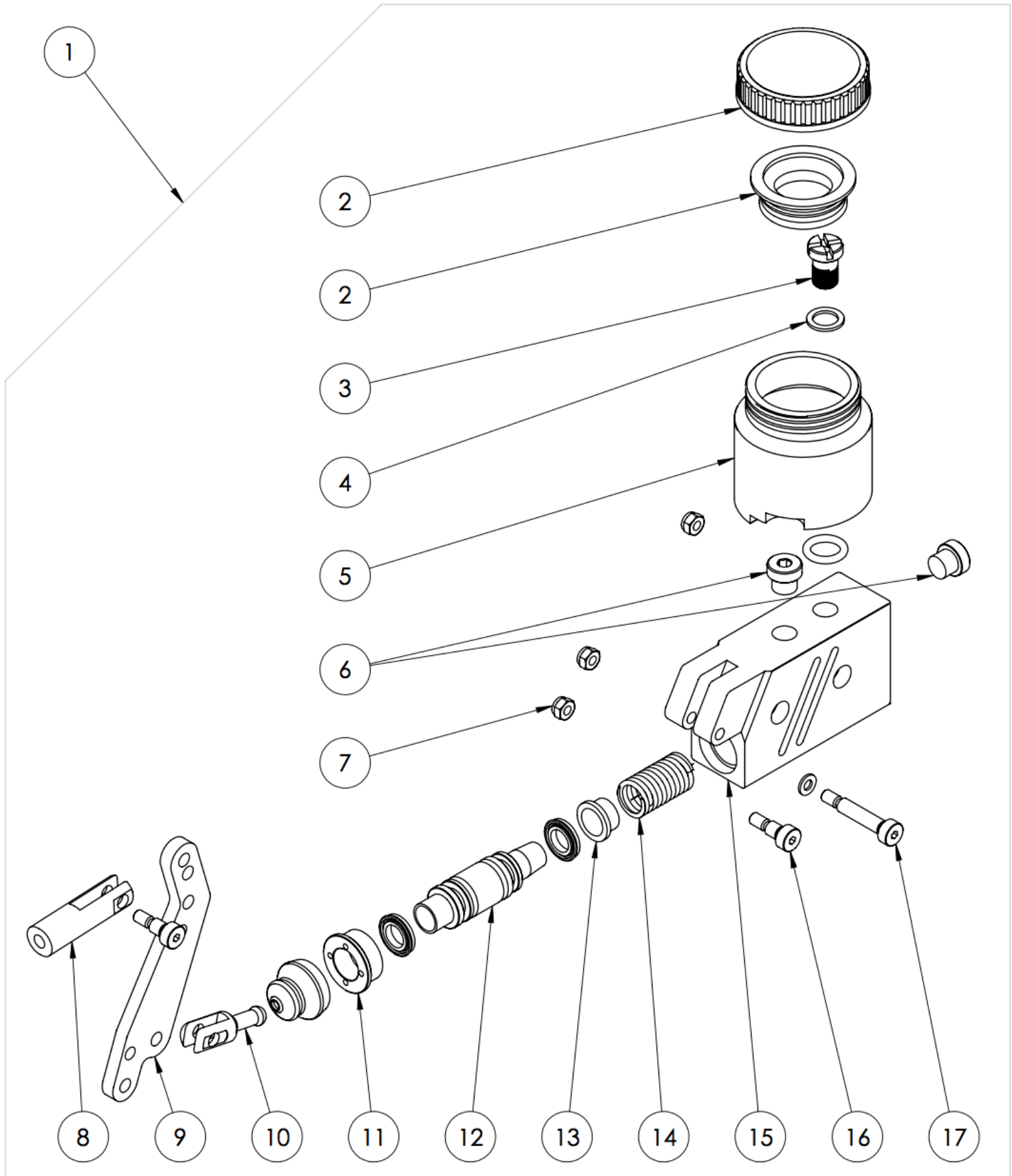




ITEM No.	PART No.	DESCRIPTION	PRICE
1	122-0001	NG Brake Pedal	£35.00
2	080-0096	M6 x 25 HEX (Brake Pedal Spring Bolt)	£0.10
3	080-0130	M6 Repair Washer	£0.20
4	085-0045	Anti-Double Pedal Return Spring Large	£1.70
5	085-0059	Anti-Double Pedal Spring - Long	£1.00
6	080-0073	M6 Full Nut	£0.10
7	080-0112	M6 Nyloc Nut	£0.10
8	080-0114	M8 Nyloc Nut	£0.10
9	080-0133	M8 'A' Washer	£0.10
10	084-0042	M8 Tapered Spacer (82096)	£0.70
11	077-0001	M8 Rod End Bearing (Female)	£4.50
12	080-0215	Ø1/2" Spacer (M8 Hole)	£0.50
13	123-0021	NG Pedal System Centre Support (1855-3)	£10.00
14	080-0031	M8 x 35 BUT (Brake Pedal-to-Master Cylinder)	£0.20
15	080-0046	M8 x 50 CAP (NG Pedal Centre Support-to-Chassis)	£0.25
16	077-0052	M6 Rod End Bearing (Male)	£2.85
17	080-0218	M6 x 30 HEX (Throttle Pedal Spring/Throttle Cable-to-M/C)	£0.15
18	080-0178	M6 Flanged Nyloc Nut	£0.20
19	122-0015	NG Throttle Pedal	£35.00
20	080-0030	M6 x 30 BUT (Flip-Over Spring Bolt)	£0.16
21	080-0169	M6 x 180 CAP (Flip-Over Pedal Bolt)	£3.00
22	085-0050	Flip-Over Pedal Spring (Medium)	£0.35
23	080-0202	M6 x 70 HEX (Throttle Spring-to-Chassis)	£0.15
24	080-0217	M6 x 50 BUT (Master Cylinder-to-Chassis)	£0.20
25	171-0083	NG Short Brake Spring Support (1841)	£2.25
26	115-0045	BIZ Master Cylinder	£99.50
27	170-0198	Master Cylinder Fastener Brace Plate (1995)	£2.95
28	085-0028	Short Bolt-On Throttle Cable	£12.00
29	161-0037	Pedal Pivot Tube	£8.00
30	085-0051	Swivel Spring	£0.85
31	080-0028	M6 x 16 BUT (Flip-Over Connector Bolt)	£0.15
32	080-0190	M8 Spring Washer	£0.10
33	080-0099	M8 x 16 HEX (Pedal Pivot Tube-to-Chassis)	£0.15
34	080-0135	1/4" Washer	£0.10



# MASTER CYLINDER



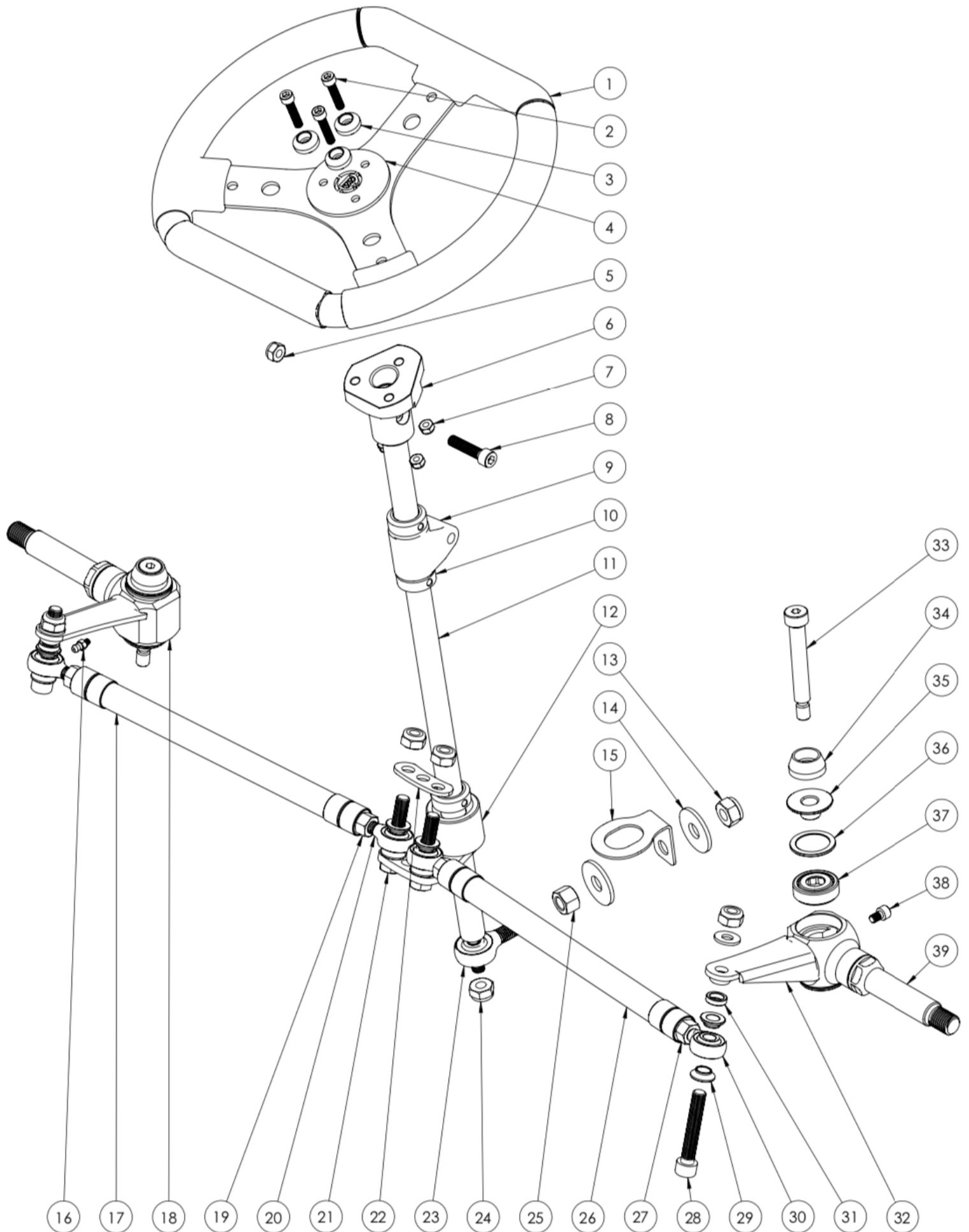


# MASTER CYLINDER

ITEM No.	PART No.	DESCRIPTION	PRICE
1	115-0045	BIZ Master Cylinder	£99.50
2	115-0044	Cylinder Cap & Reservoir Bellows	£17.20
3	115-0125	Reservoir Seat Screw	£4.00
4	115-0087	Copper Washer	£0.28
5	115-0122	Brake Fluid Reservoir	£20.00
6	115-0109	Master Cylinder Blanking Screw	£1.00
7	080-0176	M5 Nyloc Nut	£0.10
8	115-0123	Master Cylinder Puller Clevis	£8.00
9	115-0076	Master Cylinder Pull Arm	£5.30
10	115-0124	Master Cylinder Pusher Clevis	£8.00
11	115-0128	Piston Retaining Divit Screw	£12.00
12	115-0098	Master Cylinder Piston	£10.00
13	115-0126	Master Cylinder Piston Spring Seat	£4.00
14	115-0079	Master Cylinder Piston Spring	£0.98
15	115-0127	Master Cylinder Body	£50.00
16	115-0081	Pivot Bolt (Short)	£0.22
17	115-0080	Pivot Bolt (Long)	£0.28
18	115-0047	Master Cylinder Repair Kit	£12.90
19	115-0114	Master Cylinder Seal Fitting Tool	£31.00



# STEERING





# STEERING

ITEM No.	PART No.	DESCRIPTION	PRICE
1	082-0004	Ø320mm Flat-Top Rental Steering Wheel (w/ BIZ Logo)	£33.00
2	080-0213	M6 x 30 CAP (Steering Wheel-to-Boss)	£0.12
3	084-0045	M6 CAP Head Washer (85240)	£1.35
4	170-0176	Steering Wheel Centre Reinforcing Plate (1405)	£3.00
5	080-0114	M8 Nyloc Nut	£0.10
6	083-0012	Shallow Angle Steering Boss (80722-2)	£11.00
7	080-0112	M6 Nyloc Nut	£0.10
8	080-0043	M8 x 35 CAP (Boss-to-Column)	£0.20
9	170-0044	Steering Bush (K010CN)	£1.35
10	170-0047	Safety Ring (60328)	£3.00
11	074-0001	NG Steering Column	£21.50
12	083-0006	NG Steering Stop (BKT398)	£4.25
13	080-0109	M12 Nyloc Nut	£0.20
14	080-0127	M12 'C' Washer	£0.10
15	084-0022	Steering Column Retainer (1781)	£5.00
16	080-0072	M10 Full Nut LH	£0.25
17	084-0023	Grease Nipple	£1.00
18	077-0024	B.M.E. Track Rod 270 x 10mm LH	£9.50
19	075-0069	M10 Billet Stub LH (Narrow Track)	£33.00
20	077-0055	M10 Male Rod End Bearing LH (HQ)	£5.00
<i>Continued next page...</i>			

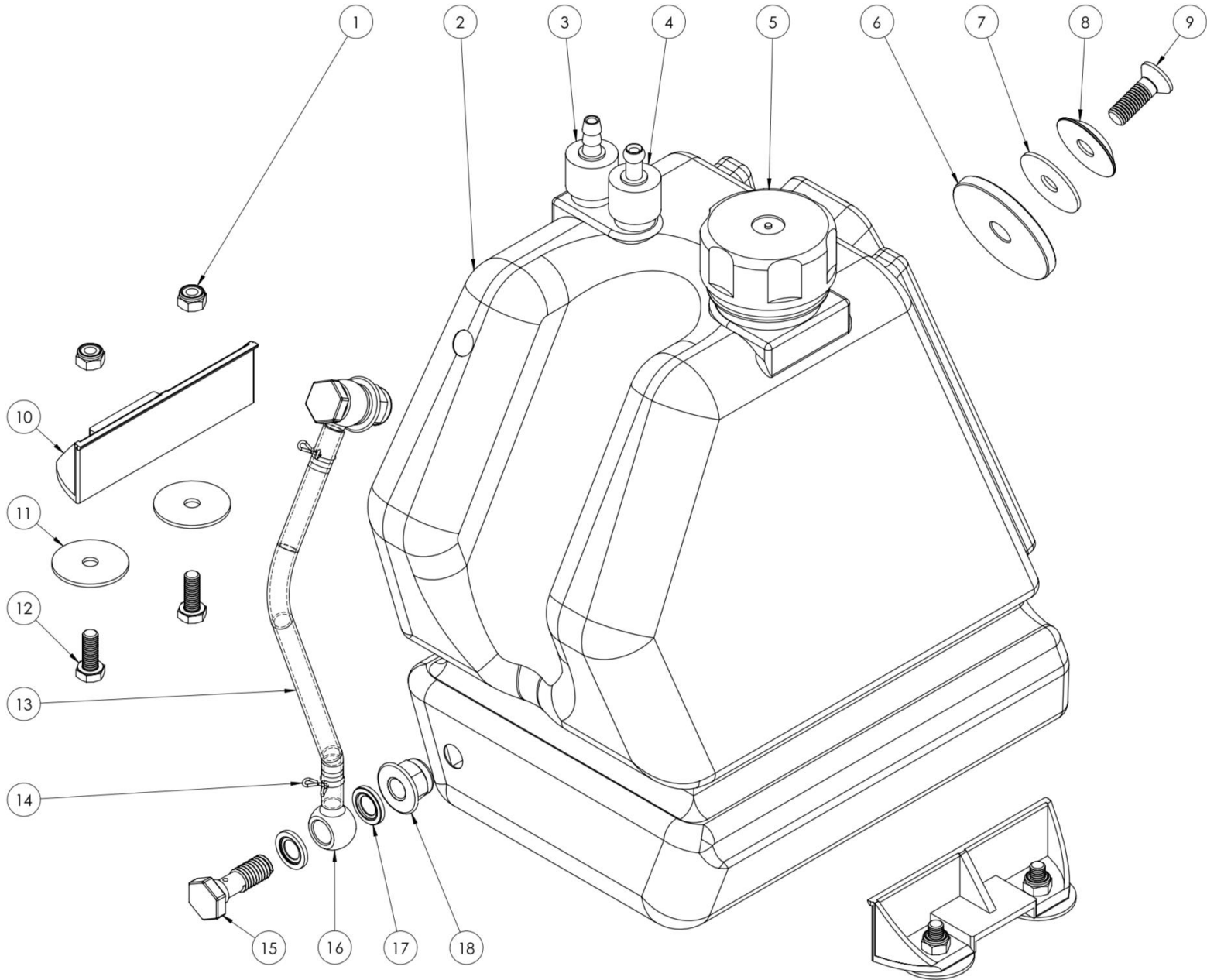


# STEERING

ITEM No.	PART No.	DESCRIPTION	PRICE
21	080-0087	M10 x 55 HEX (Rod End-to-Spade)	£0.18
22	084-0002	NG Ackermann Spade Spacer Plate (1172-4)	£2.50
23	077-0020	M12 Male Steering Column Bearing	£12.50
24	080-0108	M10 Nyloc Nut	£0.15
25	080-0076	M12 Full Nut	£0.15
26	077-0016	B.M.E. Track Rod 290 x 10mm RH	£9.50
27	080-0071	M10 Full Nut RH	£0.10
28	080-0172	M10 x 55 CAP (Track Rod-to-Stub Axle)	£0.25
29	084-0016	M10 Tapered Spacer (83558)	£0.70
30	077-0056	M10 Male Rod End Bearing RH (HQ)	£5.00
31	084-0014	Rod End-to-Stub Axle Spacer (16mm x 10.7mm x 4.5mm)	£0.45
32	075-0070	M10 Billet Stub RH (Narrow Track)	£33.00
33	075-0007	Taper Stub Kingpin	£3.50
34	084-0038	Aluminium Kingpin Surround - 10mm Yoke (1929)	£2.75
35	084-0000	Taper Stub Top Hat (70622)	£3.00
36	075-0005	Taper Stub Dust Seal	£2.00
37	075-0014	Taper Stub Bearing	£3.55
38	080-0195	M6 x 10 CAP (Stub Axle Body)	£0.15
39	080-0167	20mm HEX Stub Axle Shaft (83202)	£9.00



# FUEL SYSTEM





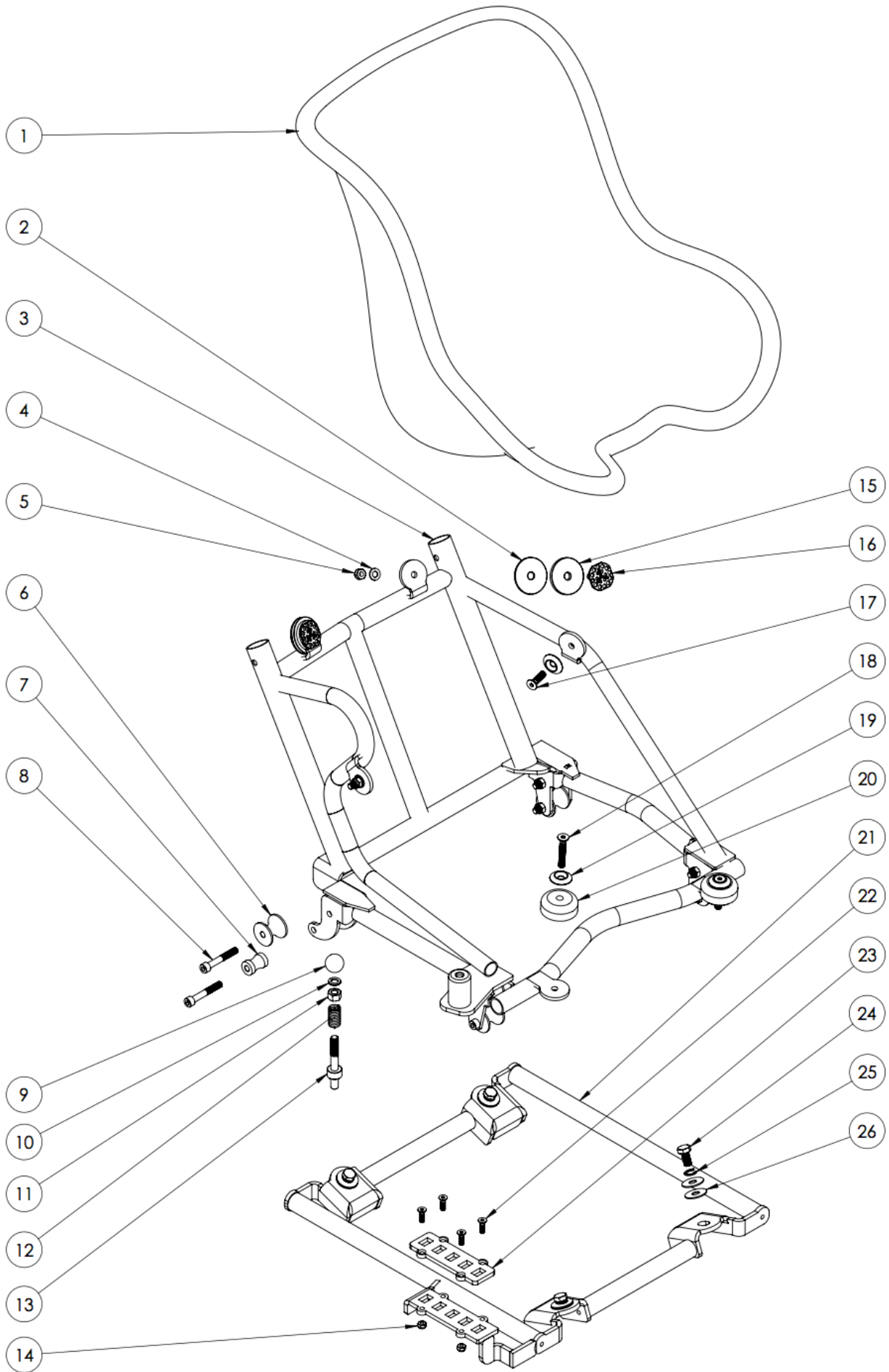
# FUEL SYSTEM

ITEM No.	PART No.	DESCRIPTION	PRICE
1	080-0112	M6 Nyloc Nut	£0.10
2	101-1024	8.5ltr Black Fuel Tank	£28.85
3	101-0014	Fuel Tank Cap Red Feed	£0.50
4	101-0010	Fuel Tank Cap Black Breather	£0.50
5	101-0011	Fuel Tank Cap & Seal	£2.50
6	104-0035	Spacer (Ø50mm x 5mm)	£0.50
7	080-0132	M8 Repair Washer	£0.20
8	080-0070	M8 CSK Washer (Aluminium Anodised)	£0.75
9	080-0061	M8 x 25 CSK (Fuel Tank-to-Chassis)	£0.13
10	105-0002	Fuel Tank Support Bracket (K002N)	£0.97
11	080-0130	M6 Repair Washer	£0.20
12	080-0094	M6 x 16 HEX (Support Bracket-to-Floor)	£0.10
13	101-0005	Clear Fuel Pipe (per metre)	£1.55
14	101-1026	Fuel Pipe Butterfly Clip	£0.25
15	115-0015	Sight Tank Banjo Bolt (85622)	£7.00
16	101-1033	Black Tank Sight Tube Hose Tail 2019 (322533-4)	£7.00
17	180-0012	1/8" Dowty Seal	£0.80
18	080-0263	M10 x 1.5 Non-Serrated Flange Nut (No Nyloc)	£0.10
19	101-0002	Fuel Tank Vacuum Spigot	£4.75
20	101-0001	Inline Fuel Filter K209/B	£1.98
21	045-0013	Fuel Impulse Pump 4-Cycle	£29.95
22	101-1023	Viton Fuel Tank Cap Seal	£3.45
23	101-1030	Sight Tube Fitting Tools (Pair)	£16.00
24	045-0059	Fuel Pump Diaphragm Kit	£5.65
25	101-0022	Catch Tank (K186) & Holder (K285N)	£2.50
26	101-1032	8.5ltr Black Fuel Tank (w/ Sight Tube Fitted)	£59.00





# SEAT CRADLE



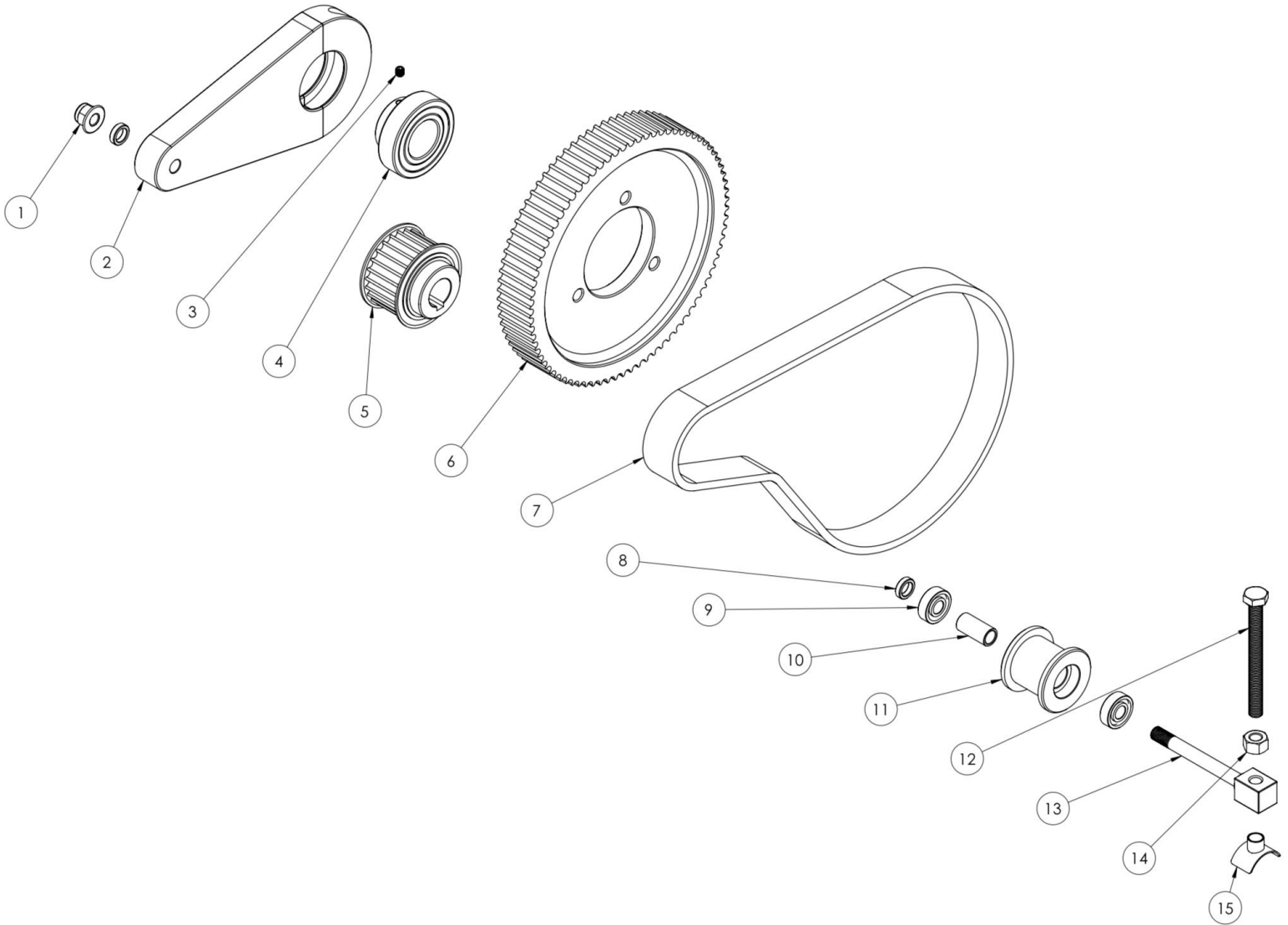


# SEAT CRADLE

ITEM No.	PART No.	DESCRIPTION	PRICE
1	104-0031	XXL Vacuum Formed Seat	£54.50
2	104-0034	Seat Spacer (Ø50mm x 2mm)	£0.30
3	123-0018	NG Sliding Seat Frame	£98.00
4	080-0133	M8 'A' Washer	£0.10
5	080-0114	M8 Nyloc Nut	£0.10
6	123-0004	Full Flange Nylon Seat Roller (80356)	£4.00
7	123-0014	No Flange Nylon Seat Roller (81982)	£4.00
8	080-0047	M8 x 55 CAP (Seat Roller-to-Sub Frame)	£0.25
9	080-0003	Seat Adjuster Ball	£3.00
10	080-0173	M10 NordLock Washer	£1.00
11	080-0071	M10 Full Nut	£0.10
12	043-0051	Valve Spring	£0.70
13	123-0007	Seat Location Pin (81026)	£8.00
14	080-0112	M6 Nyloc Nut	£0.10
15	104-0035	Seat Spacer (Ø50mm x 5mm)	£0.50
16	080-0019	M8 BigHead Seat Bolt	£1.50
17	080-0062	M8 x 30 CSK (Side Seat-to-Cradle)	£0.16
18	080-0066	M8 x 50 CSK (Front Seat-to-Cradle)	£0.25
19	080-0070	M8 CSK Washer (Aluminium Anodised)	£0.75
20	104-0038	Seat Spacer (Ø50mm x 20mm)	£2.00
21	123-0017	NG Sliding Seat Sub Frame	£60.00
22	080-0058	M6 x 20 CSK (Adjustment Plate-to-Sub Frame)	£0.15
23	170-0043	5-Slot Adjustment Top Plate (1600)	£10.00
24	080-0229	M10 x 16 HEX (Sub Frame-to-Chassis)	£0.20
25	080-0191	M10 Spring Washer	£0.05
26	080-0125	M10 Repair Washer	£0.25



# DRIVE TENSIONER



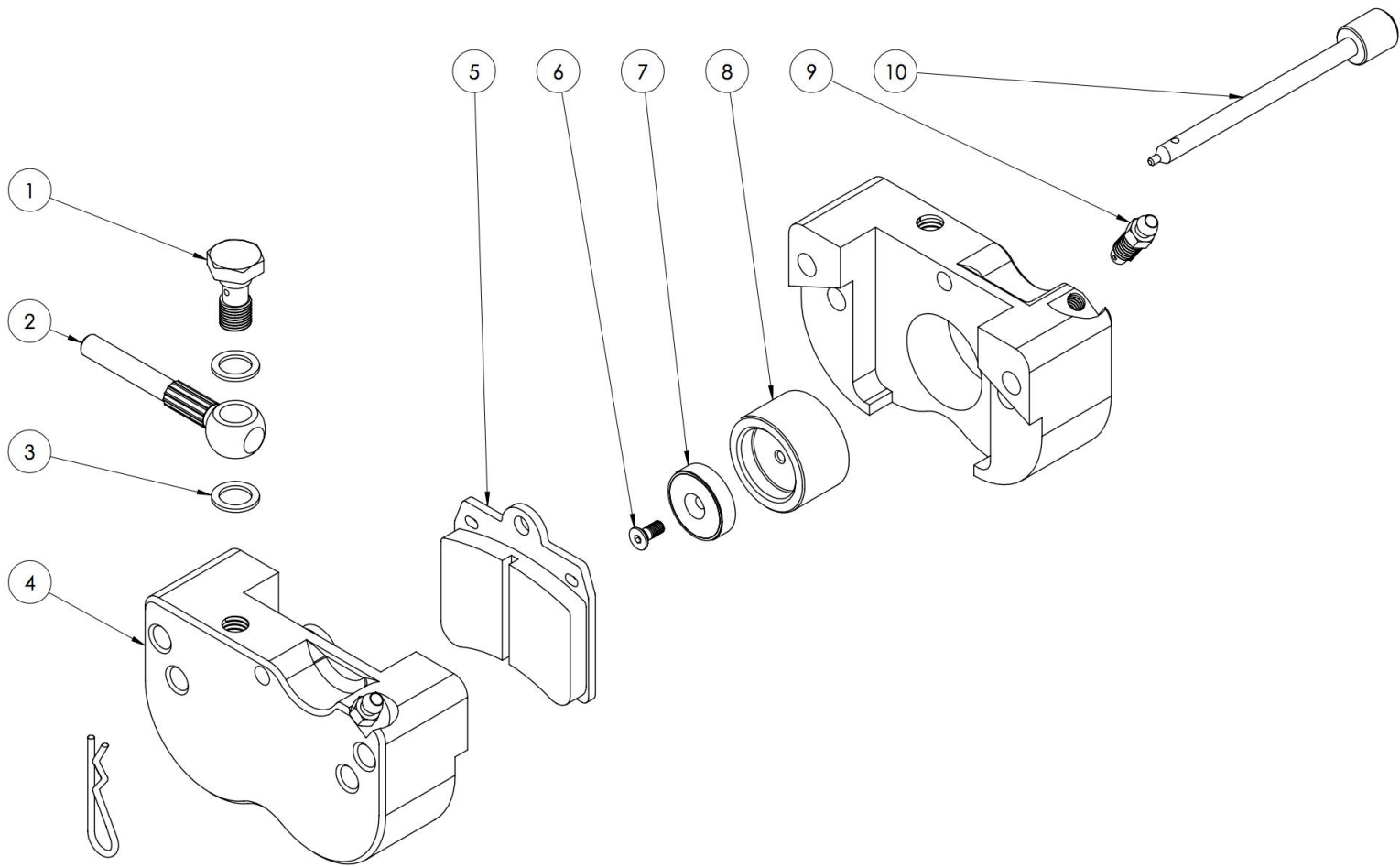


# DRIVE TENSIONER

ITEM No.	PART No.	DESCRIPTION	PRICE
1	080-0209	M10 Flanged Nyloc Nut	£0.30
2	140-0043	Drive Tensioner w/ Bearing (84982)	£30.00
3	080-0018	Bearing Grub Screw	£1.00
4	081-0002	CSA206 Bearing (w/ Concentric Locking Collar)	£10.00
5	114-0072	27T Pilot Bored Pulley (22mm Shaft)	£35.34
6	114-0060	80T Rear Belt Drive Plastic Pulley (81196-2)	£53.65
7	114-0049	1080 Drive Belt	£21.50
8	084-0015	Spacer Ø16mm x Ø10.7mm x 4.5mm (82920)	£0.45
9	075-0028	6000-2RS Bearing	£0.44
10	084-0024	Tensioner Roller Internal Spacer (60538-1)	£0.54
11	140-0032	BIZ Flanged Tensioner Roller (BKT376)	£22.00
12	080-0091	M10 x 100 HEX (Tensioner Support)	£0.90
13	140-0045	Tensioner Adjustment Support Bolt (84978)	£12.50
14	080-0071	M10 Full Nut	£0.10
15	170-0132	Tensioner Horseshoe Chassis Support (85156)	£10.00
16	113-0017	Axle Key Steel 6mm x 12"	£0.99
17	113-0018	Output Drive Key Steel 7mm x 12"	£5.50



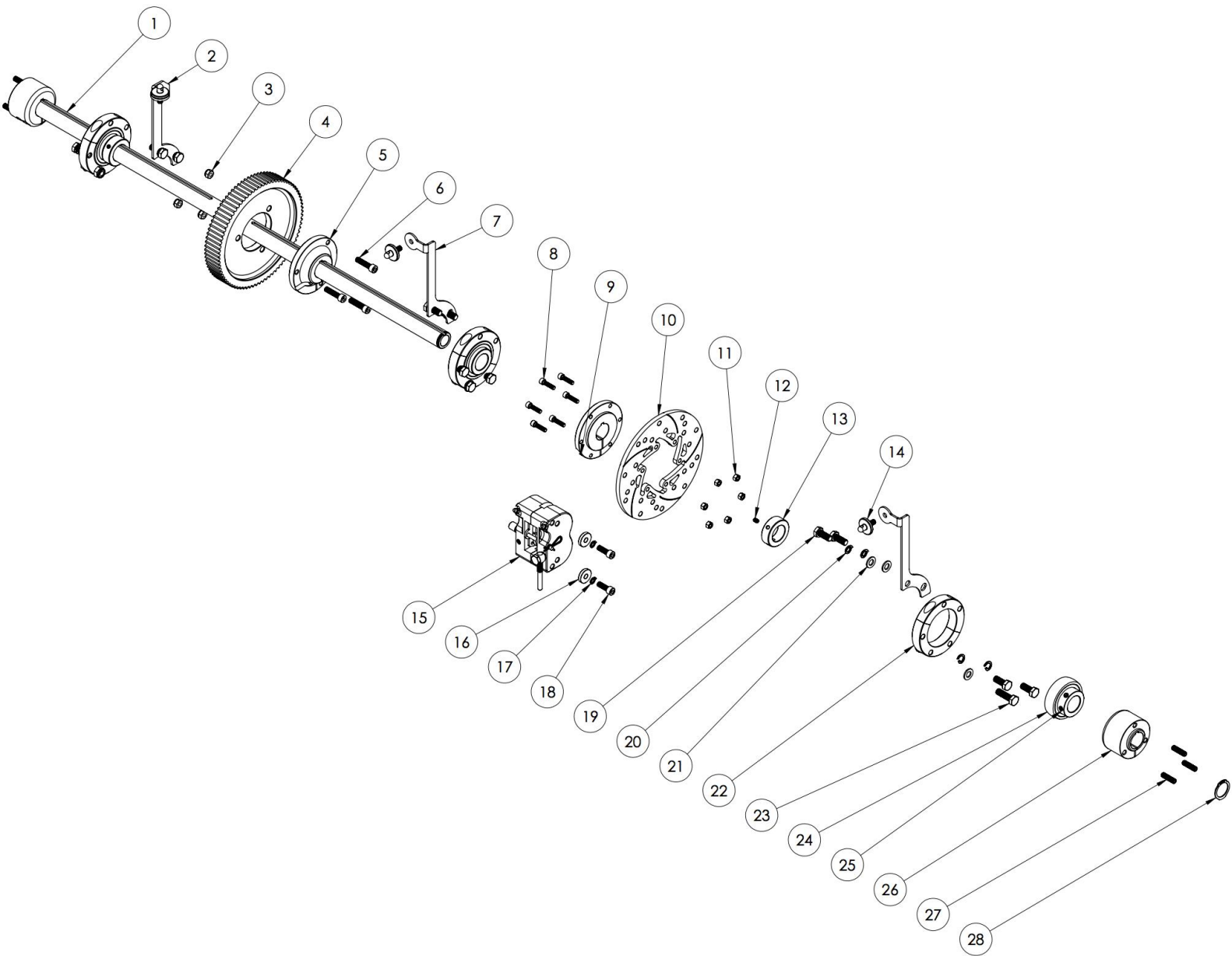
# BRAKE CALIPER



ITEM No.	PART No.	DESCRIPTION	PRICE
1	115-0086	Banjo Bolt	£2.95
2	115-0038	Brake Hose (1315mm)	£19.00
3	115-0087	Banjo Copper Washer	£0.28
4	115-0004	BIZ Corporate 'B' Brake Caliper	£109.00
5	115-0006	Standard Red Brake Pad Set	£7.50
5	115-0006	Standard Red Brake Pad Set (10 Sets)	£45.00
6	115-0014	Brake Caliper Piston Magnet CSK Screw	£0.04
7	115-0009	Brake Caliper Piston Magnet	£0.68
6	115-0016	Brake Caliper Piston	£16.34
8	115-0110	Caliper Bleed Nipple 7mm	£2.72
9	115-0025	Pad Retaining Pin (with R-Clip)	£9.53
10	140-0005	BIZ Caliper Repair Kit	£19.78
11	150-0045	DOT 5 Silicone Brake Fluid (1ltr)	£22.75
12	115-0005	BIZ Brake System (Complete)	£199.50



# REAR AXLE



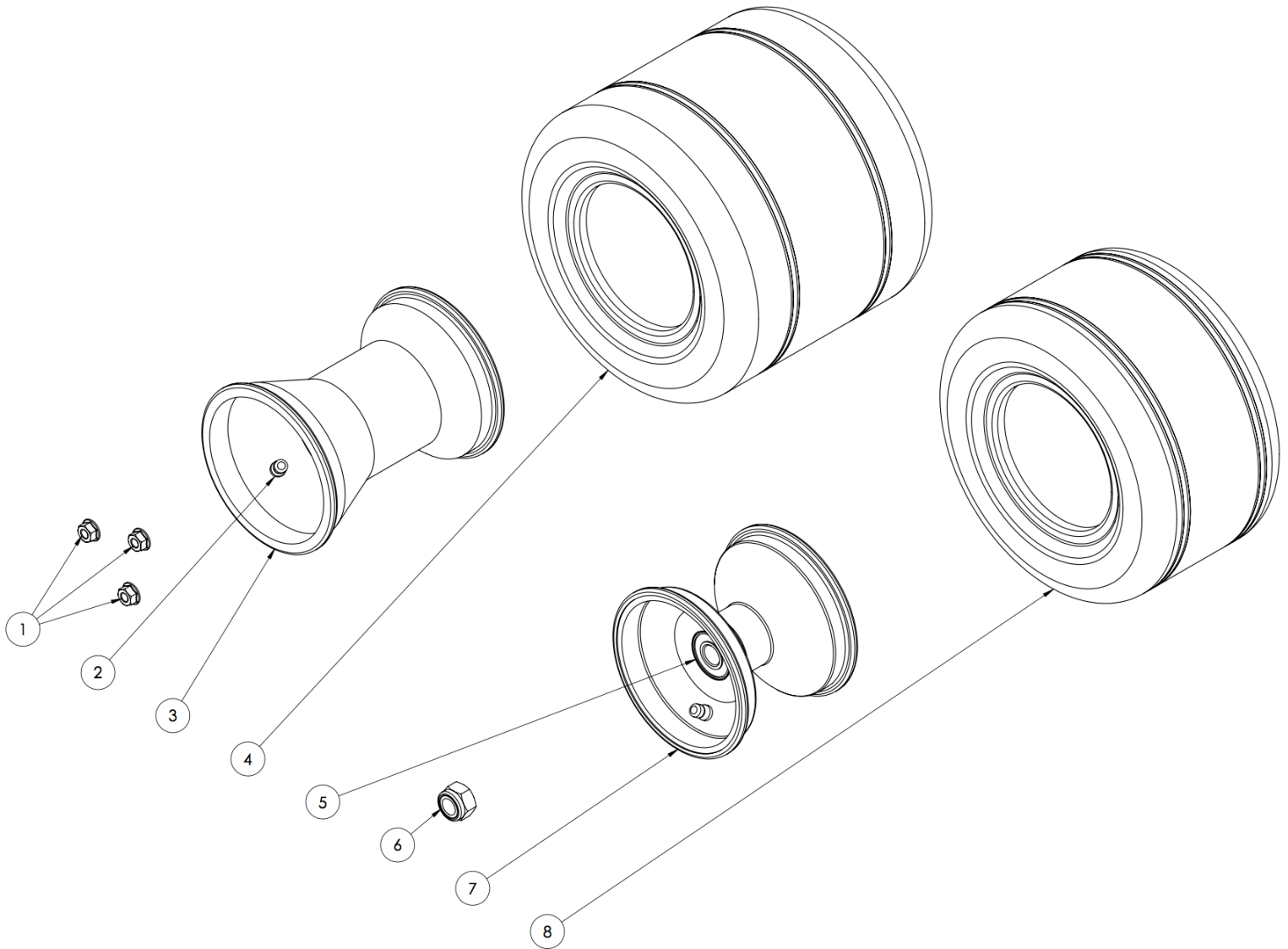


# REAR AXLE

ITEM No.	PART No.	DESCRIPTION	PRICE
1	113-0002	Ø30mm 40" Hollow Rear Axle (81140)	£32.90
2	171-0084	Axle Cover-to-Bearing Carrier Mount RH (1991)	£7.50
3	080-0114	M8 Nyloc Nut	£0.10
4	114-0060	80T Rear Drive Plastic Pulley (81196-2)	£53.65
5	114-0040	BIZ Rear Pulley Carrier HD (82714)	£15.00
6	080-0043	M8 x 35 CAP (Pulley Carrier-to-Pulley)	£0.20
7	171-0042	Rear Blind-to-Bearing Carrier Mount Centre & LH (1802-2)	£8.00
8	080-0197	M6 x 25 CAP (Brake Disc-to-Carrier)	£0.15
9	115-0099	BIZ Brake Disc Carrier HD (81368)	£15.00
10	115-0115	BIZ 8mm Ventilated & Wiper Groove Brake Disc (81542-1)	£28.00
11	080-0113	Brake Disc-to-Carrier Binx Nut	£0.40
12	080-0174	Axle Locking Ring Grub Screw	£1.00
13	080-0014	Ø30mm Axle Locking Ring (80818)	£5.00
14	171-0139	Small Bodywork Mount Bolt (84688)	£3.50
15	115-0004	BIZ Corporate 'B' Brake Caliper Assembly	£109.00
16	080-0051	Caliper-to-Chassis Top Hat Washer (60102)	£3.41
17	080-0190	M8 Spring Washer	£0.10
18	080-0041	M8 x 25 CAP (Caliper-to-Chassis)	£0.15
19	080-0083	M10 x 25 HEX (Bearing Carrier-to-Chassis)	£0.20
20	080-0191	M10 Spring Washer	£0.05
21	080-0186	M10 'A' Washer	£0.05
22	081-0035	UCX Ø30mm Autolube QC Bearing Carrier (81486)	£21.00
23	080-0084	M10 x 35 HEX (Bearing Carrier-to-Chassis)	£0.20
24	081-0007	UCX Ø30mm Autolube Axle Bearing	£7.13
25	080-0175	UCX Bearing Grub Screw	£1.00
26	076-0011	Ø30mm Rear Hub (80716)	£18.50
27	080-0105	Kelgate Wheel Stud	£3.00
28	080-0013	Ø30mm Axle Circlip	£0.35
29	113-0017	Axle Key Steel 6mm x 12"	£0.99
30	171-0207	Rear Pulley Spreader Plate (2077)	£4.20



# WHEELS & TYRES

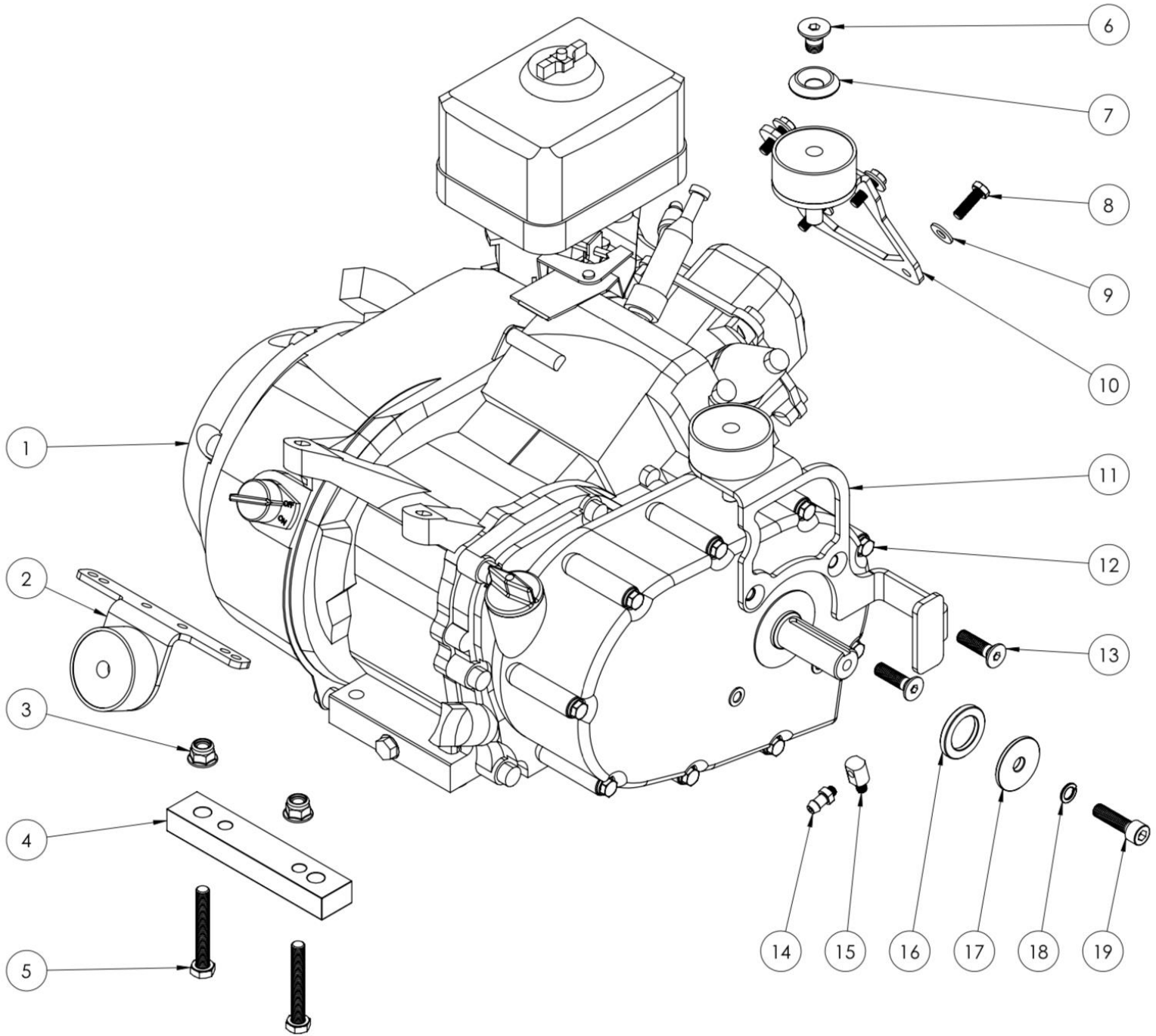


ITEM No.	PART No.	DESCRIPTION	PRICE
1	080-0115	M8 Flanged Nyloc Nut (Rear Wheel)	£0.27
2	070-0014	Short Wheel Valve	£1.00
3	070-0012	175mm Mono Rear Wheel HD	£23.80
4	052-0011	Mitas SRH Rear Tyre (Hard)	£19.00
5	081-0143	6004 Wheel Bearing 42/20	£1.25
6	080-0111	M16 Nyloc Nut (Front Wheel)	£0.60
7	070-0016	20mm Front Wheel Super Offset (42mm)	£24.20
8	052-0007	Mitas SRX Front Tyre (Extreme Hard)	£17.00





# ENGINE (GX200)





# ENGINE (GX200)

ITEM No.	PART No.	DESCRIPTION	PRICE
1	040-0008	GX200 Engine (SHQ4)	£283.00
2	171-0218	Evo3 Front Engine Cover Mount (1127)	£6.00
3	080-0115	M8 Flanged Nyloc Nut	£0.27
4	047-0004	Engine Mount Spacer Plate	£5.00
5	080-0232	M8 x 55 HEX (Engine Mount Plate-to-Engine)	£0.20
6	080-0226	M10 x 16 CSK (Rear Engine Cover-to-Bobbin)	£0.20
7	080-0000	M10 CSK Washer (83352)	£1.20
8	080-0095	M6 x 20 HEX (1129-to-Head Cover)	£0.10
9	080-0135	1/4" Washer	£0.10
10	171-0220	Evo3 Rear Engine Cover Mount (1129)	£8.00
11	171-0219	Evo3 Inside Engine Cover Mount (1128)	£10.00
12	040-0021	GX200 Engine (RHG4)	£405.00
13	080-0220	M8 x 20 CSK (1128-to-Gearbox)	£0.20
14	101-1034	Breather Piece for 90° Gearbox Breather (86030)	£4.00
15	101-1035	Gearbox Piece for 90° Gearbox Breather (86032)	£5.00
16	111-0041	Output Shaft Washer 22mm Honda (84694)	£2.95
17	111-0151	Gearbox Shaft End Spacer (60902)	£1.05
18	080-0190	M8 Spring Washer	£0.05
19	080-0042	M8 x 30 CAP (Pulley/Sprocket-to-Gearbox)	£0.15
20	080-0145	Ø50mm x 20mm Cylindrical Mounting Bobbin	£3.00
21	080-0108	M10 Nyloc Nut	£0.15

*Continued next page...*

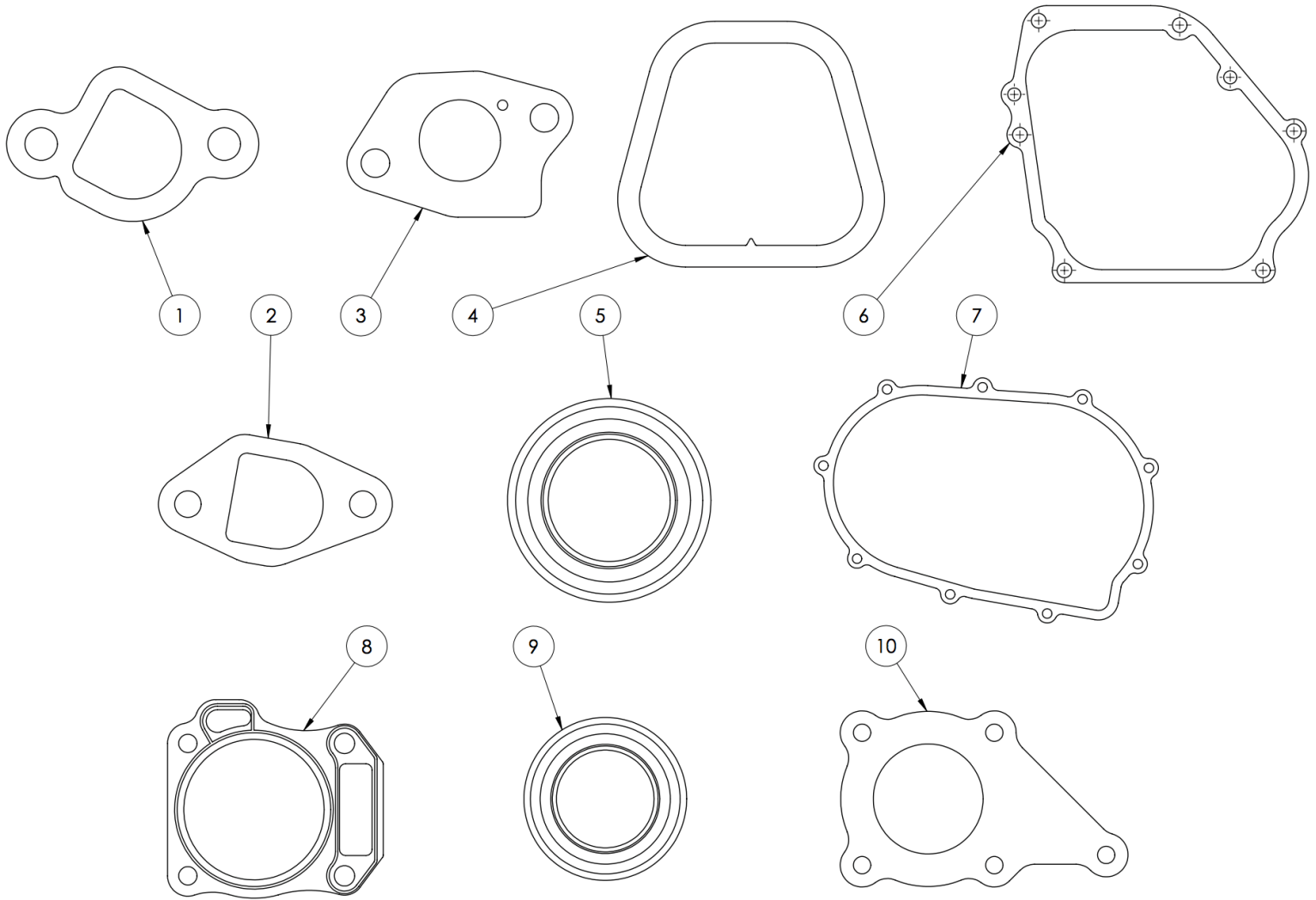


# ENGINE (GX200)

ITEM No.	PART No.	DESCRIPTION	PRICE
22	042-0175	Honda GX200 Piston Ring Set	£28.72
23	042-0030	Honda GX200 Piston	£17.20
24	042-0202	Honda Con Rod	£60.59
25	042-0061	Honda Crank Case Dipstick	£5.94
26	042-0203	Honda Crank Case Oil Plug	£7.00
27	042-0204	Honda Oil Drain Plug	£5.00
28	042-0190	Honda Oil Drain Plug Washer	£0.58
29	042-0205	Honda Air Elbow	£35.44
30	042-0206	Honda Plastic Wing Nut	£5.25
31	042-0207	Honda Fan Case Cover	£35.00
32	042-0208	Honda Pull Start	£42.00
33	042-0198	Viton Crank Seal	£8.00
34	085-0027	Throttle Return Spring	£0.45
35	042-0120	GX1000 Circlip	£0.51
36	042-0079	GX1000 Swivel	£3.47
37	171-0208	Engine Tray Adjuster Bracket (1981-1)	£10.00
38	171-0209	Studded Engine Mount Plate GX200 (1981-2)	£2.80
39	101-0021	Metal Fuel Hose Straight Connector Joint 6mm	£3.90
40	101-0005	Clear Fuel Pipe (per metre)	£1.55



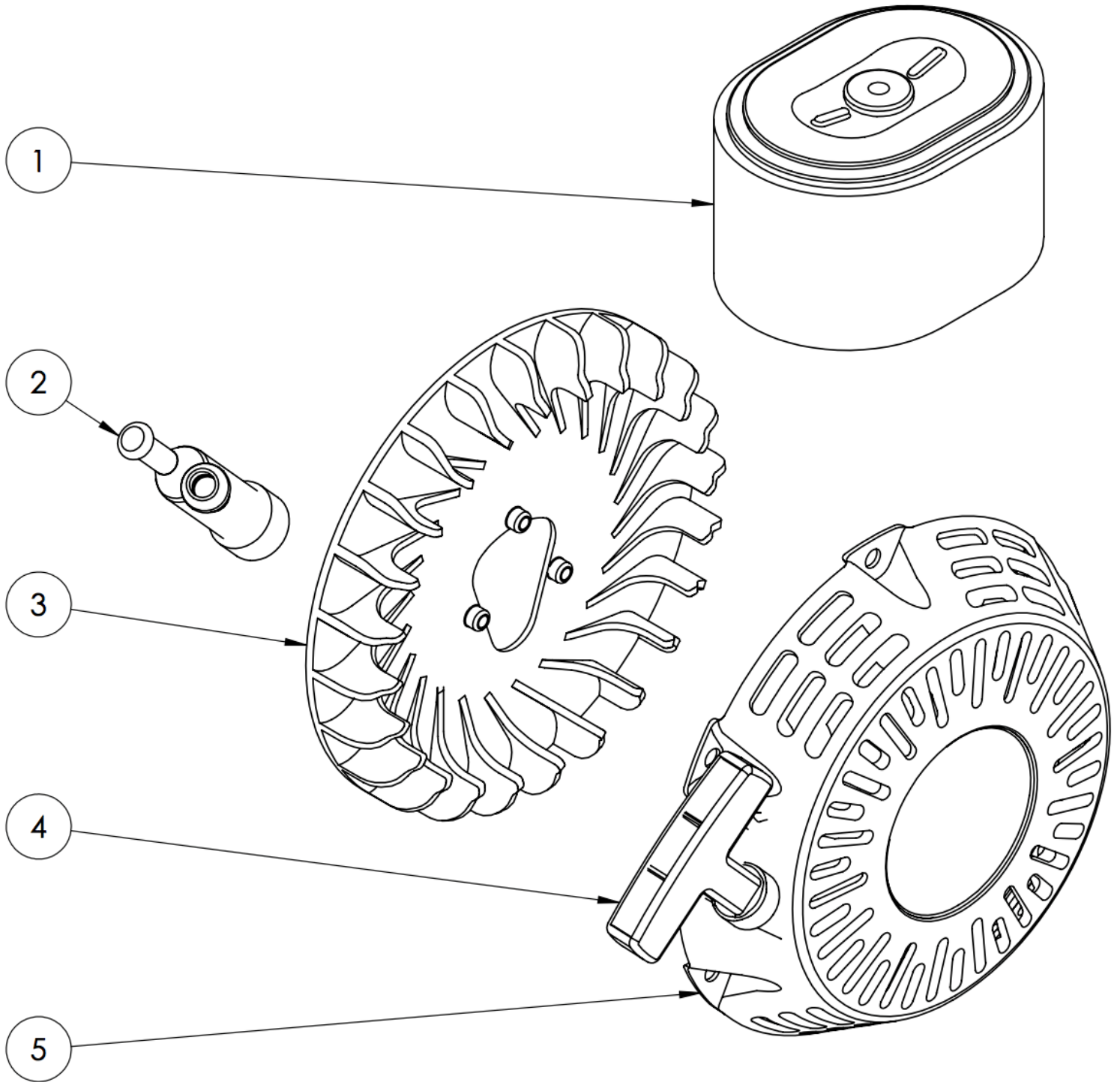
# PATTERN GASKETS



ITEM No.	PART No.	DESCRIPTION	PRICE
1	043-0036	GX160/200 Muffler Gasket (Exhaust)	£0.62
2	043-0033	Inlet Gasket	£0.25
3	043-0032	Carburettor Gasket	£0.25
4	043-0005	Cylinder Head Cover Gasket	£0.50
5	043-0049	Power Shift Oil Seal	£3.11
6	043-0010	GX160/200 Crankcase Gasket	£1.96
7	043-0040	GX160/200 Reduction Case Gasket	£2.62
8	043-0004	GX160/200 T2 Head Gasket	£2.20
9	043-0009	GX160/200 Crankshaft Oil Seal	£2.32
10	043-0039	Reduction Cover Gasket	£1.89



# PATTERN PARTS





# PATTERN PARTS

ITEM No.	PART No.	DESCRIPTION	PRICE
1	045-0005	GX160/200 Cotton Air Filter Green	£15.00
2	043-0050	Plug Cap	£6.44
3	043-0038	Flywheel Cooling Fan	£5.13
4	043-0028	Recoil Starter Handle	£2.61
5	043-0023	GX160/200 Pull Start	£17.95
6	043-0029	Pull Start Rope	£2.56
7	043-0070	Air Cleaner Elbow Assembly	£15.00
8	043-0066	GX160/200 Clutch Centre	£15.00
9	043-0067	GX160/200 Basket	£26.00
10	043-0089	Air Box Breather Tube	£1.50
11	043-0031	Engine Switch	£4.95

***Please phone +44 (0) 208 443 3300 quoting engine make, model and number when ordering specific engine parts***



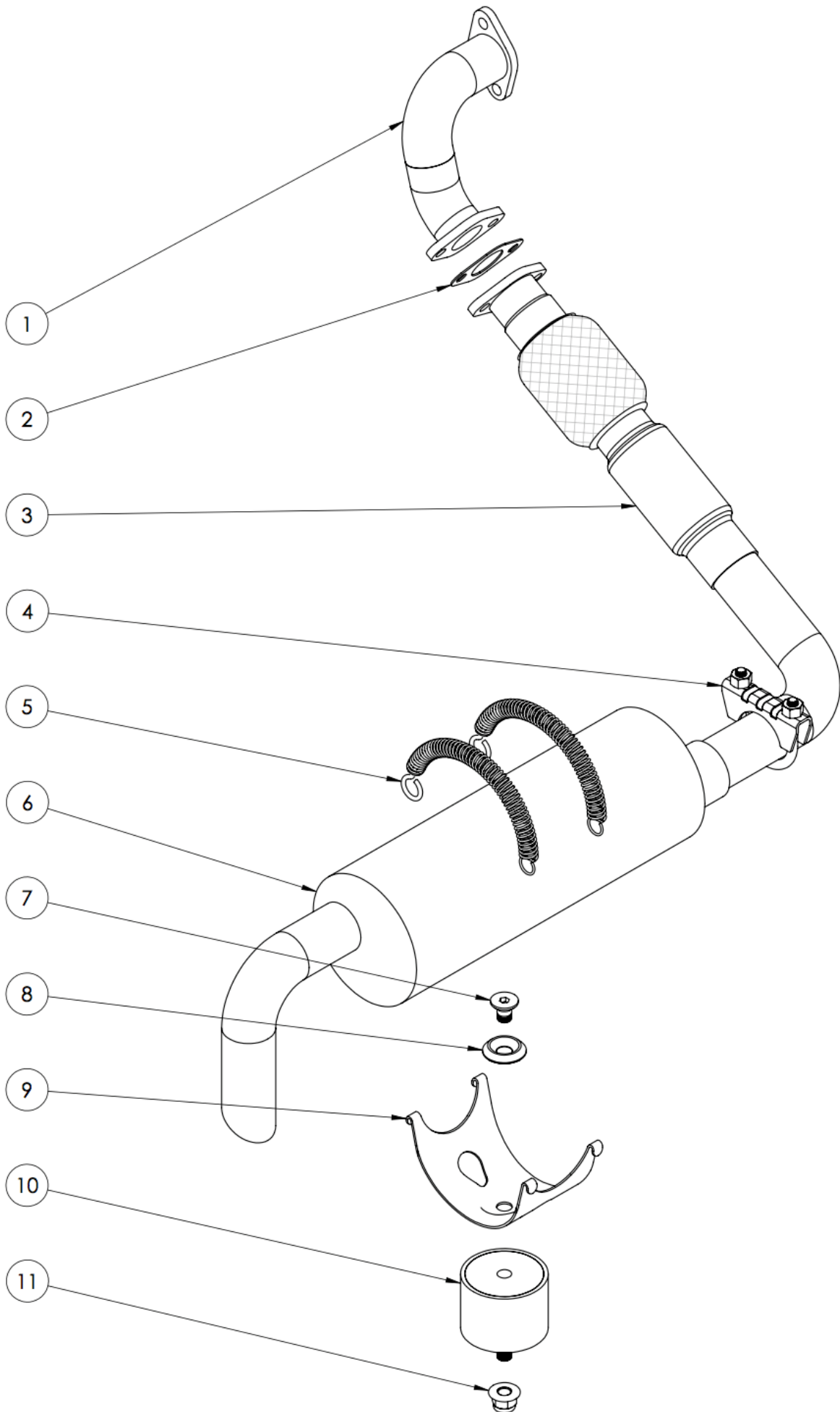
# GEARBOX

ITEM No.	PART No.	DESCRIPTION	PRICE
1	042-0066	Oil Filler Cap & Gauge	£10.24
2	042-0138	GX160/200 Centre	£53.53
3	042-0101	GX160/200 Basket	£77.46
4	042-0103	Wet Clutch Plate Spring	£2.25
5	042-0105	Wet Clutch Plate Spring Holder	£1.14
6	042-0145	Wet Clutch Friction Plate (22201822306)	£14.22
7	042-0102	Wet Clutch Metal Plate (22311822610)	£11.34
8	042-0146	Wet Clutch Pressure Plate (22350822610)	£15.62
9	042-0164	PTO Shaft	£112.69
10	042-0118	Thrust Washer	£7.22
11	043-0054	GX160/200 Complete Reduction Gearbox	£185.00
12	043-0049	Gearbox Oil Seal	£3.11
13	043-0048	Gearbox Chain	£12.00
14	042-0209	Gearbox Drain Plug (92800-12000)	£3.00
15	042-0191	Gearbox Drain Plug Washer (94109-12000)	£0.62

***Please phone +44 (0) 208 443 3300 quoting engine make, model and number when ordering specific engine parts***



# EXHAUST







# EXHAUST

ITEM No.	PART No.	DESCRIPTION	PRICE
1	045-0100	No.46 Manifold	£20.00
2	043-0057	Exhaust Gasket (Manifold-to-Downpipe)	£1.25
3	045-0035	Catalytic Ultra Clean K-CAM CAT	£355.00
4	045-0085	Super Silent Exhaust Clamp	£2.00
5	085-0054	Exhaust Cradle Spring	£1.00
6	045-0030	Exhaust Silencer / Back Box	£75.00
7	080-0226	M10 x 16 CSK (Exhaust Cradle-to-Bobbin)	£0.20
8	080-0000	M10 CSK Washer (83352)	£1.20
9	085-0003	Exhaust Cradle	£6.20
10	080-0151	Exhaust Cradle Bobbin (Ø60mm x 45mm)	£7.00
11	080-0209	M10 Flanged Nyloc Nut	£0.30