

# CADET PARTS BOOK



**TeamSport**  
*#1 in UK Indoor Karting*

## TEAMSPORT BRISTOL

For Updated Prices, Please Check

[shop.bizkarts.com](http://shop.bizkarts.com)



# CONTENTS

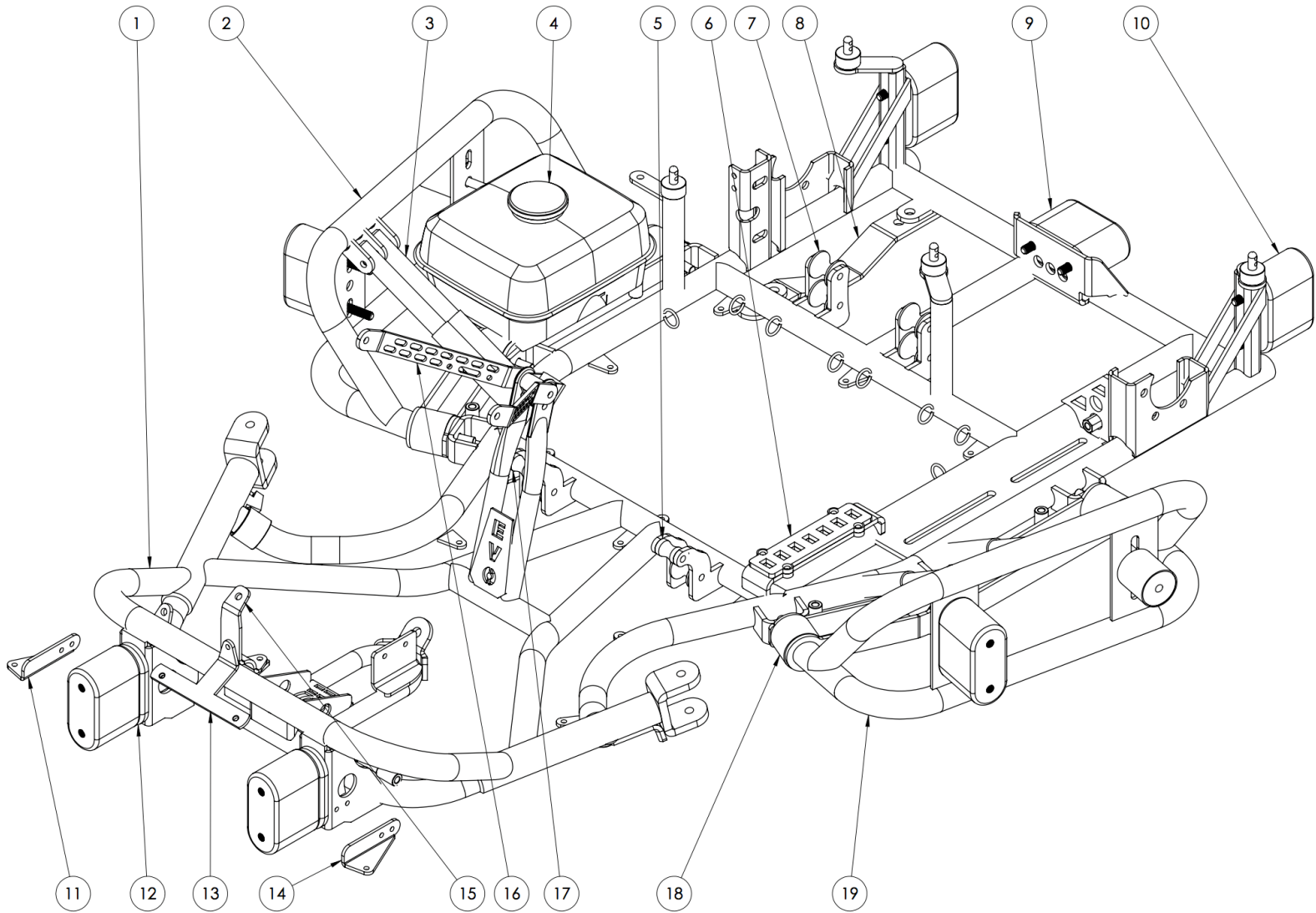
<b>CHASSIS &amp; POD BARS</b>	<b>1</b>
<b>WRAP &amp; BODYWORK</b>	<b>3</b>
<b>PEDALS</b>	<b>5</b>
<b>MASTER CYLINDER</b>	<b>7</b>
<b>STEERING</b>	<b>9</b>
<b>SEAT CRADLE</b>	<b>11</b>
<b>BRAKE CALIPER</b>	<b>13</b>
<b>REAR AXLE</b>	<b>14</b>
<b>WHEELS &amp; TYRES</b>	<b>16</b>
<b>ENGINE</b>	<b>17</b>
<b>PATTERN PARTS</b>	<b>19</b>

*Part Prices subject to change without notification*

*All prices exclude VAT & delivery where applicable*



# CHASSIS & POD BARS



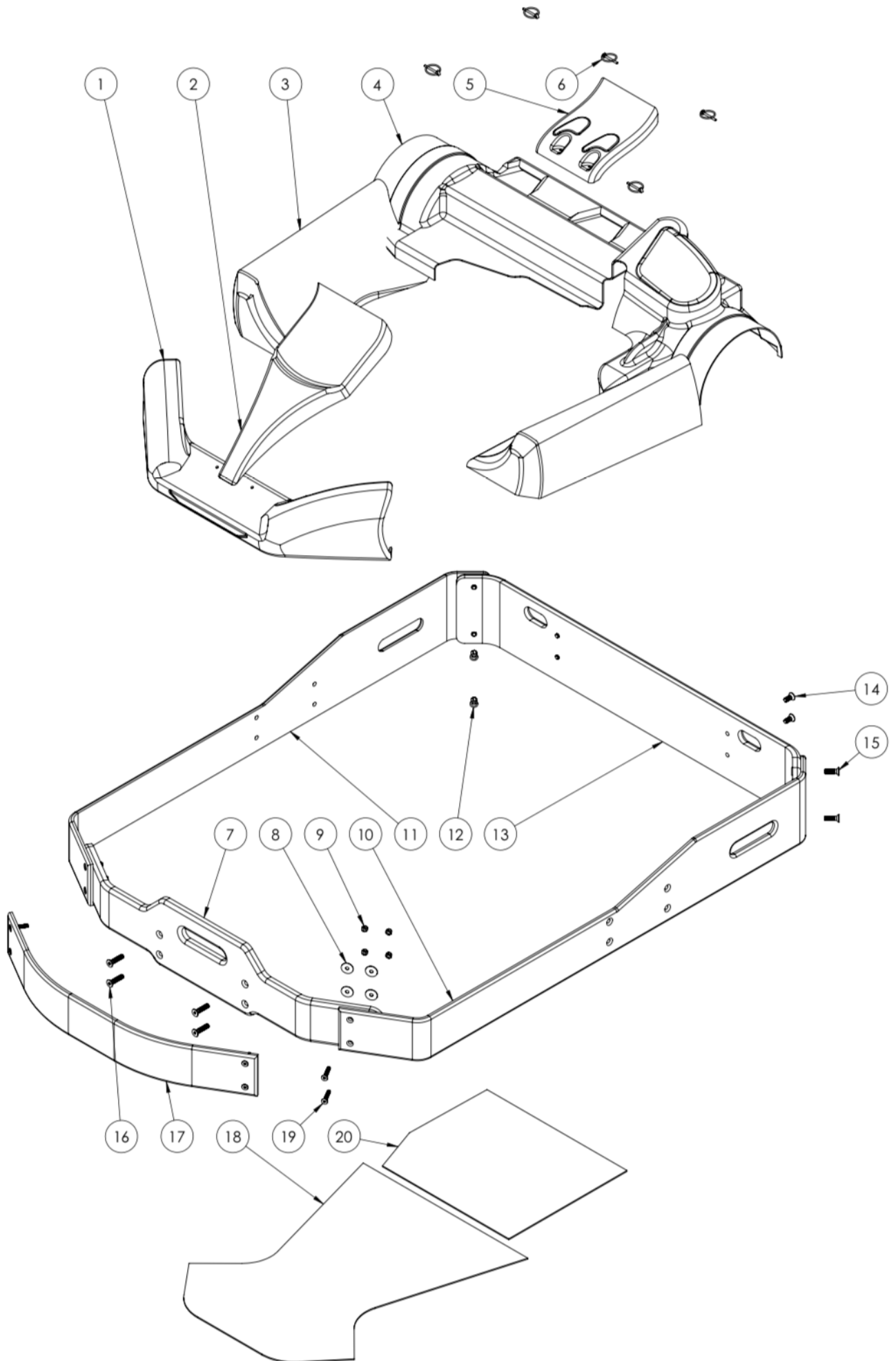


# CHASSIS & POD BARS

ITEM No.	PART No.	DESCRIPTION	PRICE
1	031-0002	Cadet Chassis (LH Single)	£650.00
2	170-0227	Cadet Pod Bar (RH)	£39.16
3	077-0021	Nylon Pod Bar Protector Arm	£3.60
4	042-0179	Honda 17620 ZH7023 Petrol Cap (Black)	£14.63
5	123-0014	No Flange Nylon Seat Roller (81980)	£4.00
6	170-0183	7-Slot Adjustment Top Plate (1593)	£10.00
7	123-0004	Full Flange Nylon Seat Roller (80356)	£4.00
8	171-0040	Brake Disc Skid Guard (1263)	£5.50
9	080-0154	Vertical Impact Buffer (Short-Stud)	£11.00
10	080-0165	Vertical Impact Buffer (Long-Stud)	£12.00
11	170-0255	Cadet Lower Front Fairing Bracket RH (1692-RH)	£4.00
12	121-0089	Cadet Front Rubber Spacer (BKT172)	£5.00
13	170-0056	Cadet Front Fairing Support (1421)	£10.00
14	170-0057	Cadet Lower Front Fairing Bracket LH (1692-LH)	£4.00
15	085-0061	Cadet Lower Nassau Panel Bracket (1412)	£6.00
16	085-0047	Upper Nassau Panel Bracket (1358)	£2.50
17	123-0013	Half Flange Nylon Seat Roller (81982)	£4.00
18	080-0142	Ø50mm x 40mm Cylindrical Mounting Bobbin	£3.00
19	170-0226	Cadet Pod Bar (LH)	£39.16
20	080-0141	Ø50mm x 50mm Cylindrical Mounting Bobbin	£3.20



# WRAP & BODYWORK





# WRAP & BODYWORK

ITEM No.	PART No.	DESCRIPTION	PRICE
1	096-0004	02 Nose Cone	£29.50
2	097-0027	Cadet Nassau Panel	£7.95
3	093-0015	Stilo Pod Cover (Pair)	£31.00
4	100-1035	Cadet Axle Cover	£68.00
5	100-0011	Basic Engine Cover	£10.00
6	080-0116	Axle Cover Locking Pin	£0.45
7	120-0027	Cadet Front Bumper (BKT186)	£36.00
8	080-0243	M8 Repair Washer (Black)	£0.20
9	080-0242	M8 Nyloc Nut (Black)	£0.25
10	121-0097	Cadet Side Bumper 20mm LH (BKT239)	£55.00
11	121-0098	Cadet Side Bumper 20mm RH (BKT241)	£55.00
12	080-0004	Rear Bumper Rivet Nut	£0.50
13	121-0009	Cadet Rear Bumper (BKT062)	£35.50
14	080-0144	M10 x 25 CSK (Rear Bumper-to-Buffers)	£0.20
15	080-0182	M10 x 35 CSK (Rear Corner-to-Rear Bumper)	£0.25
16	080-0183	M10 x 55 CSK (Front Bumper-to-Buffers)	£0.25
17	121-0099	Cadet Front Spring (BKT243)	£14.00
18	099-0003	Front Floor Tray (BKT005)	£12.00
19	080-0066	M8 x 55 CSK (Outer Corner-to-Front Bumper)	£0.25
20	099-0005	Cadet Rear Floor Tray (BKT334)	£20.00
21	080-0000	M10 CSK Washer (83352)	£1.20
22	080-0226	M10 x 16 CSK (Nassau Panel-to-Bracket)	£0.30
23	085-0064	Custom Graphics Kit	£75.00
24	100-1028	Cadet Side Tank Pod Cover	£40.00





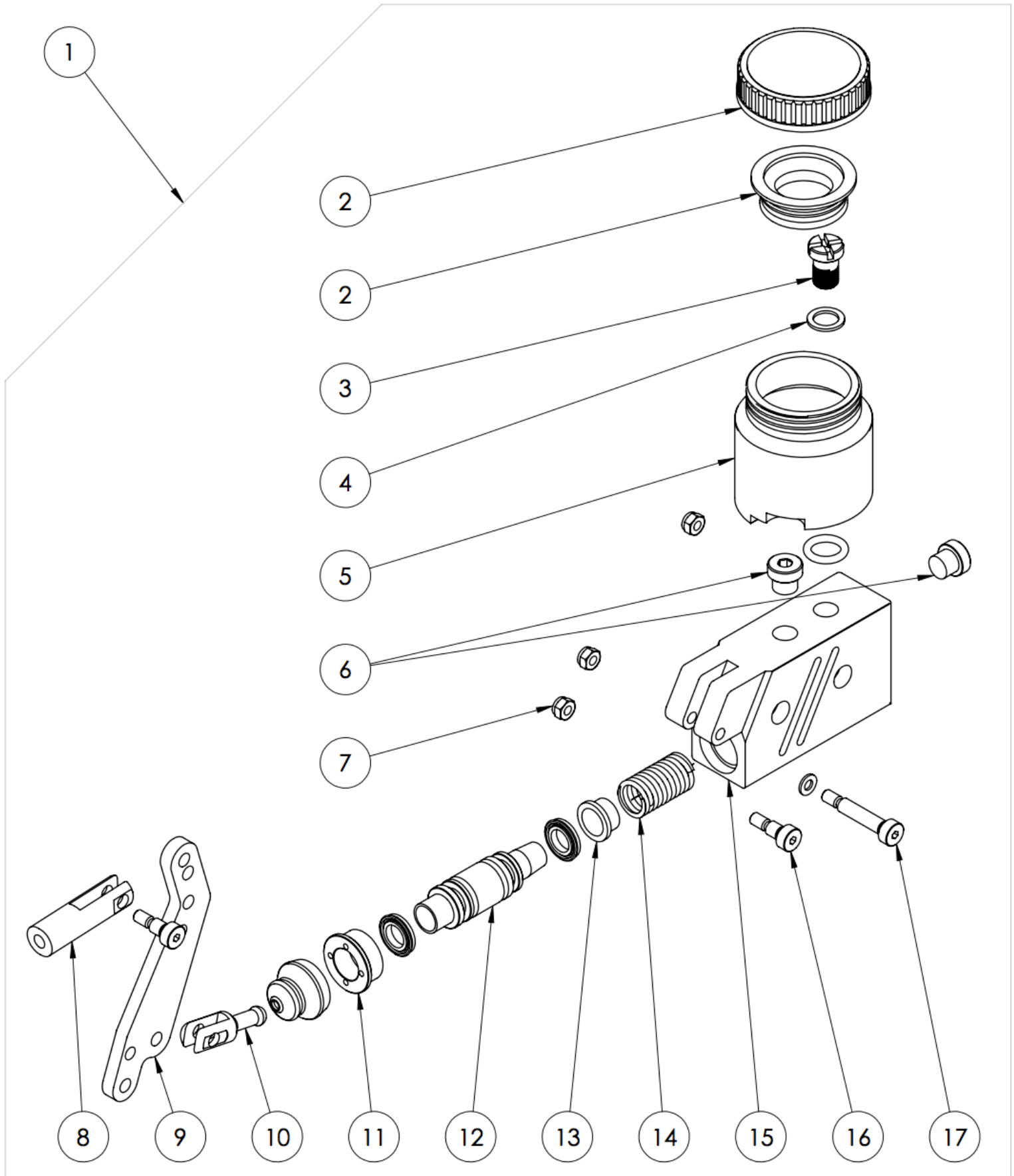
ITEM No.	PART No.	DESCRIPTION	PRICE
1	122-0031	Cadet Pedal Set (Double-Flip)	£35.00
2	080-0059	M6 x 35 BUT (Brake Pedal Spring Bolt)	£0.16
3	080-0135	1/4" Washer	£0.10
4	080-0112	M6 Nyloc Nut	£0.10
5	080-0185	M6 'A' Washer	£0.05
6	084-0042	M8 Tapered Spacer (82096)	£0.70
7	080-0215	Ø1/2" Spacer (M8 Hole)	£0.75
8	077-0007	M8 Rod End Bearing (Male)	£3.72
9	080-0114	M8 Nyloc Nut	£0.10
10	085-0027	Throttle & Brake Pedal Return Spring	£0.56
11	084-0030	Small Throttle Cable Spacer 8.5 x 5.25 (81960)	£0.50
12	085-0023	Bolt-On Throttle Cable (Inner)	£3.90
13	084-0028	Large Throttle Cable Spacer 8.5 x 10.5 (81856)	£0.50
14	080-0204	M6 x 70 BUT (Throttle Spring Bolt)	£0.25
15	080-0178	M6 Flanged Nyloc Nut	£0.20
16	080-0028	M6 x 16 BUT (Flip-Over Connector Bolt)	£0.15
17	080-0169	M6 x 180 CAP (Flip-Over Pedal Bolt)	£3.00
18	080-0038	M6 x 35 CAP (Rear Master Cylinder-to-Chassis)	£0.10
19	080-0194	M6 x 45 CAP (Front Master Cylinder-to-Chassis)	£0.15
20	115-0045	BIZ Master Cylinder	£99.50
21	170-0011	Cadet Throttle Cable Fixing Point (1693) *	£12.00
22	085-0030	Bolt-On Throttle Cable Assembly	£10.50
23	085-0050	Flip-Over Pedal Spring (Medium)	£0.35
24	080-0028	M6 x 20 BUT (Flip-Over Spring Bolt)	£0.15
25	122-0026	MK2 Anti-Double Pedal Unit Cadet (1231) *	£20.00
26	122-0028	Anti-Double Pedal Link Rod Cadet (81836)	£7.00
27	122-0029	Anti-Double Pedal Nylon Bush (81546)	£2.00
28	085-0056	Anti-Double Pedal Spring Short	£1.00
29	085-0059	Anti-Double Pedal Spring Long	£1.00

*\*Subject to kart specification*





# MASTER CYLINDER

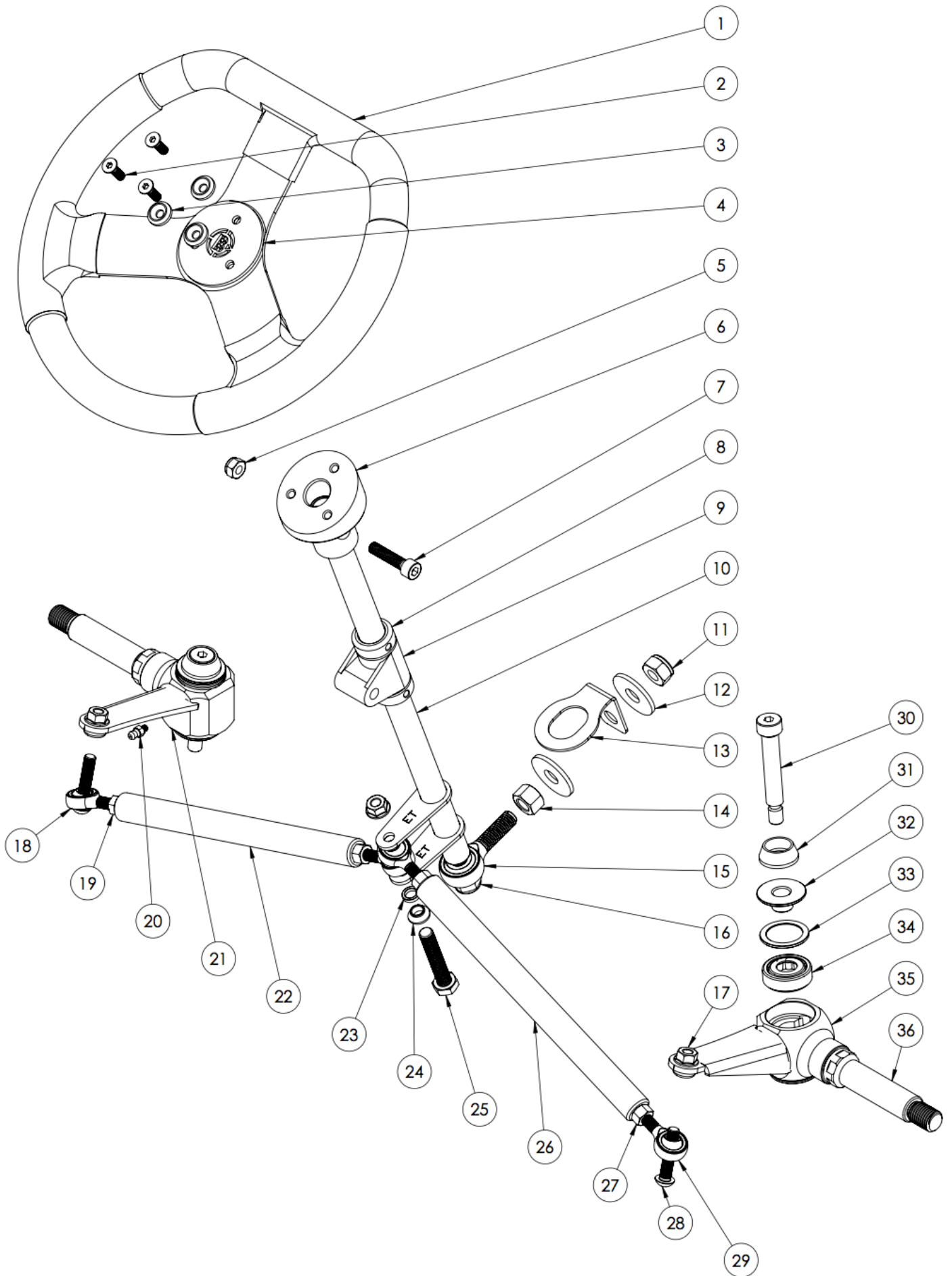




# MASTER CYLINDER

ITEM No.	PART No.	DESCRIPTION	PRICE
1	115-0045	BIZ Master Cylinder	£99.50
2	115-0044	Cylinder Cap & Reservoir Bellows	£17.20
3	115-0125	Reservoir Seat Screw	£4.00
4	115-0087	Copper Washer	£0.28
5	115-0122	Brake Fluid Reservoir	£20.00
6	115-0109	Master Cylinder Blanking Screw	£1.00
7	080-0176	M5 Nyloc Nut	£0.10
8	115-0123	Master Cylinder Puller Clevis	£8.00
9	115-0076	Master Cylinder Pull Arm	£5.30
10	115-0124	Master Cylinder Pusher Clevis	£8.00
11	115-0128	Piston Retaining Divit Screw	£12.00
12	115-0098	Master Cylinder Piston	£10.00
13	115-0126	Master Cylinder Piston Spring Seat	£4.00
14	115-0079	Master Cylinder Piston Spring	£0.98
15	115-0127	Master Cylinder Body	£50.00
16	115-0081	Pivot Bolt (Short)	£0.22
17	115-0080	Pivot Bolt (Long)	£0.28
18	115-0047	Master Cylinder Repair Kit	£12.90
19	115-0114	Master Cylinder Seal Fitting Tool	£31.00

# B STEERING



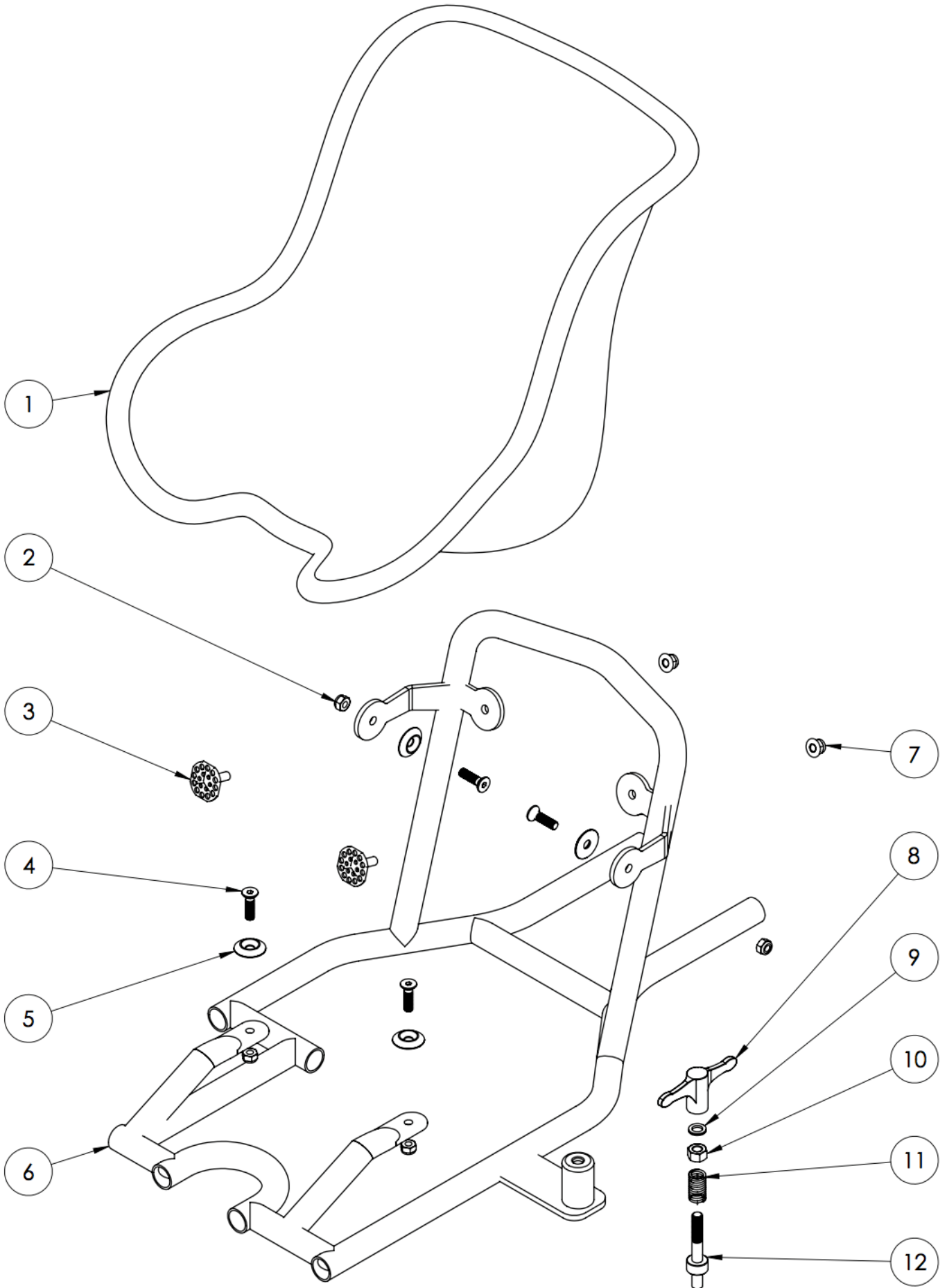


# STEERING

ITEM No.	PART No.	DESCRIPTION	PRICE
1	083-0009	Ø300mm Flat-Top Rental Steering Wheel	£22.45
2	080-0058	M6 x 20 CSK (Steering Wheel-to-Boss)	£0.15
3	080-0069	M6 CSK Washer (60266)	£0.34
4	170-0176	Steering Wheel Centre Reinforcing Plate (1405)	£3.00
5	080-0114	M8 Nyloc Nut	£0.10
6	083-0004	Steep Angle Steering Boss (80722)	£8.30
7	080-0043	M8 x 35 CAP (Boss-to-Column)	£0.20
8	170-0047	Safety Ring (60328)	£3.00
9	170-0044	Steering Bush (K010CN)	£1.35
10	074-0005	Cadet Steering Column (TT)	£21.50
11	080-0109	M12 Nyloc Nut	£0.20
12	080-0127	M12 'C' Washer	£0.10
13	084-0022	Steering Column Retainer (1781)	£5.00
14	080-0076	M12 Full Nut	£0.15
15	077-0020	M12 Male Steering Column Bearing	£12.50
16	080-0108	M10 Nyloc Nut	£0.15
17	080-0209	M10 Flanged Nyloc Nut	£0.30
18	077-0002	M10 Male Rod End Bearing LH	£4.50
19	080-0072	M10 Full Nut LH	£0.25
20	084-0023	Grease Nipple	£1.00
21	075-0067	M10 Billet Stub LH (Wide Track)	£33.00
22	077-0082	B.M.E. Track Rod 240 x 10mm LH	£9.50
23	084-0014	M10 Steering Spacer (82920)	£0.45
24	084-0016	M10 Tapered Spacer (83558)	£0.70
25	080-0089	M10 x 65 HEX (Rod End-to-Spade)	£0.35
26	077-0079	B.M.E. Track Rod 230 x 10mm RH	£9.50
27	080-0071	M10 Full Nut RH	£0.10
28	080-0234	M10 x 40 BUT (Track Rod-to-Stub Axle)	£0.25
29	077-0003	M10 Male Rod End Bearing RH	£4.50
30	075-0007	Taper Stub Kingpin	£3.50
31	084-0038	Aluminium Kingpin Surround - 10mm Yoke (1929)	£2.75
32	084-0000	Taper Stub Top Hat (70622)	£3.00
33	075-0005	Taper Stub Dust Seal	£2.00
34	075-0014	Taper Stub Bearing	£3.55
35	075-0068	M10 Billet Stub RH (Wide Track)	£33.00
36	080-0167	20mm HEX Stub Axle Shaft (83202)	£9.00
37	080-0195	M6 x 10 CAP (Stub Axle Body)	£0.15



# SEAT CRADLE



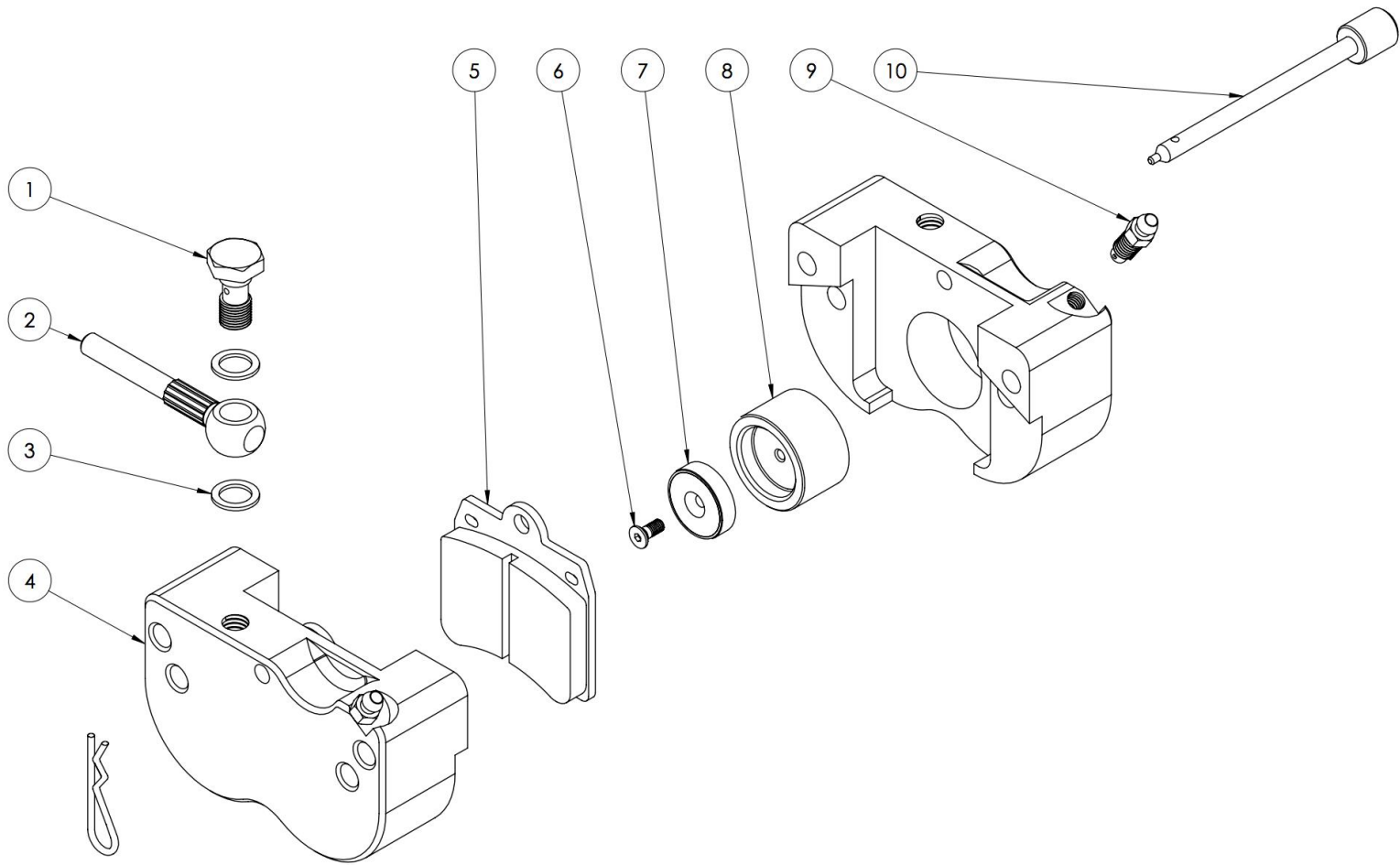


# SEAT CRADLE

ITEM No.	PART No.	DESCRIPTION	PRICE
1	102-0007	Cadet Vacuum Formed Plastic Seat (13/512)	£44.00
2	080-0114	M8 Nyloc Nut	£0.10
3	080-0019	M8 x 30 Big Head Seat Bolt	£1.50
4	080-0062	M8 x 30 CSK (Seat-to-Cradle)	£0.16
5	080-0070	M8 CSK Washer (60280)	£0.75
6	123-0002	Cadet Sliding Seat Frame	£82.00
7	080-0115	M8 Flanged Nyloc Nut	£0.27
8	080-0008	Plastic 'T' Grip Handle Sliding Seat	£3.00
9	080-0173	M10 NordLock Washer	£1.00
10	080-0071	M10 Full Nut	£0.10
11	043-0051	Valve Spring	£0.70
12	123-0007	Seat Location Pin (81026)	£8.00
13	104-0034	Seat Spacer (Ø50mm x 2mm)	£0.30
14	104-0035	Seat Spacer (Ø50mm x 5mm)	£0.50
15	N.N.S.	Cadet Seat Blind (BKT257)	P.O.R.



# BRAKE CALIPER

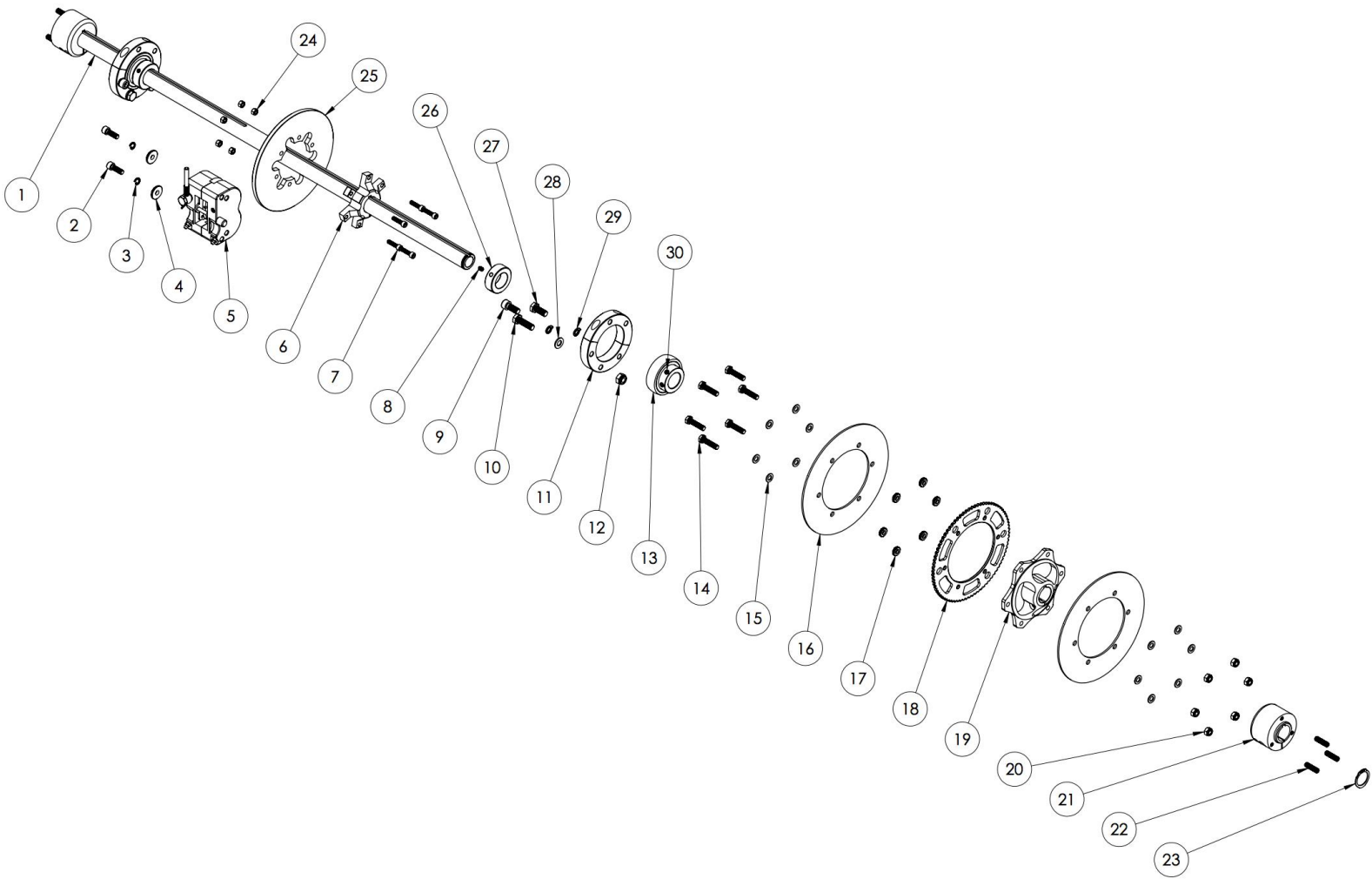


ITEM No.	PART No.	DESCRIPTION	PRICE
1	115-0086	Banjo Bolt	£2.95
2	115-0038	Brake Hose (1315mm)	£19.00
3	115-0087	Banjo Copper Washer	£0.28
4	115-0004	BIZ Corporate 'B' Brake Caliper	£109.00
5	115-0006	Standard Red Brake Pad Set	£7.50
5	115-0006	Standard Red Brake Pad Set (10 Sets)	£45.00
6	115-0014	Brake Caliper Piston Magnet CSK Screw	£0.04
7	115-0009	Brake Caliper Piston Magnet	£0.68
6	115-0016	Brake Caliper Piston	£16.34
8	115-0110	Caliper Bleed Nipple 7mm	£2.72
9	115-0025	Pad Retaining Pin (with R-Clip)	£9.53
10	140-0005	BIZ Caliper Repair Kit	£19.78
11	150-0045	DOT 5 Silicone Brake Fluid (1ltr)	£22.75
12	115-0005	BIZ Brake System (Complete)	£199.50





# REAR AXLE



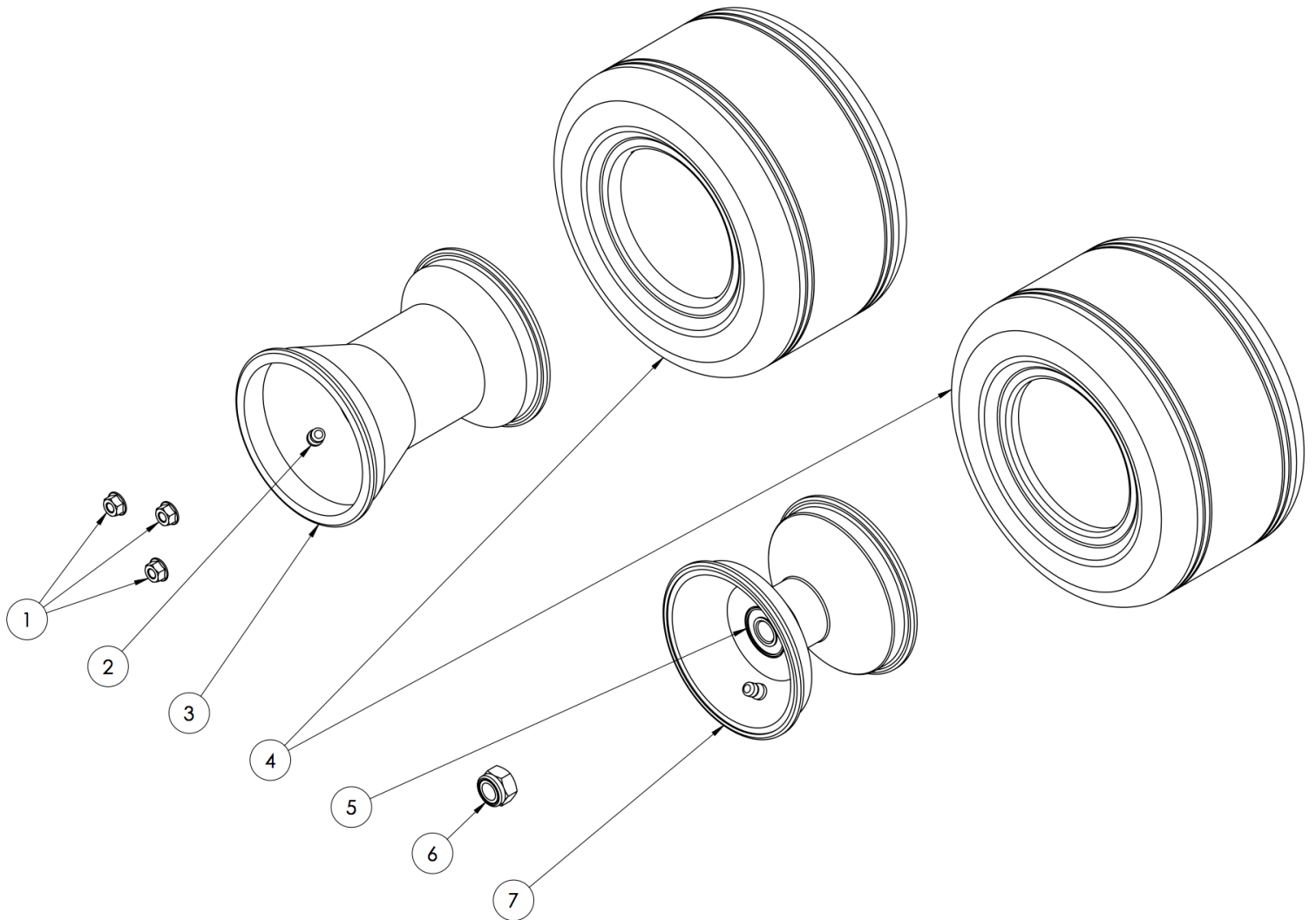


# REAR AXLE

ITEM No.	PART No.	DESCRIPTION	PRICE
1	113-0002	Ø30mm 40" Hollow Rear Axle (81140)	£32.90
2	080-0041	M8 x 25 CAP (Caliper-to-Chassis)	£0.15
3	080-0190	M8 Spring Washer	£0.05
4	080-0051	Caliper-to-Chassis Top Hat Washer (60102)	£3.41
5	115-0004	BIZ Corporate 'B' Brake Caliper Assembly	£109.00
6	115-0099	BIZ Brake Disc Carrier HD (81368)	£15.00
7	080-0197	M6 x 25 CAP (Brake Disc-to-Carrier)	£0.15
8	080-0174	Axle Locking Ring Grub Screw	£1.00
9	080-0233	M10 x 25 CAP (Bearing Carrier-to-Chassis)	£0.20
10	080-0084	M10 x 35 HEX (Bearing Carrier-to-Chassis)	£0.20
11	081-0013	Ø30mm QC Bearing Carrier (60036)	£18.00
12	080-0108	M10 Nyloc Nut	£0.15
13	081-0005	SB206 Ø30mm Axle Bearing	£2.80
14	080-0101	M8 x 35 HEX (Sprocket Carrier-to-Sprocket)	£0.25
15	080-0133	M8 'A' Washer	£0.10
16	111-0091	Medium Sprocket Protector (72-83T)	£3.75
17	111-0125	Knurled Sprocket Spacer	£0.18
18	111-0066	219 BIZ Rear Sprocket (82T)	£10.95
19	111-0084	BIZ Rear Sprocket Carrier (82612)	£12.00
20	080-0114	M8 Nyloc Nut	£0.10
21	076-0011	Ø30mm Rear Hub (80716)	£18.50
22	080-0105	Kelgate Wheel Stud	£3.00
23	080-0013	Ø30mm Axle Circlip	£0.35
24	080-0113	Brake Disc-to-Carrier Binx Nut	£0.40
25	115-0115	BIZ 8mm Ventilated & Wiper Groove Brake Disc (81542-1)	£28.00
26	080-0014	Ø30mm Axle Locking Ring (80818)	£5.00
27	080-0083	M10 x 25 HEX (Bearing Carrier-to-Chassis)	£0.20
28	080-0186	M10 'A' Washer	£0.05
29	080-0191	M10 Spring Washer	£0.05
30	080-0018	Axle Bearing Grub Screw	£1.00
31	113-0017	6mm x 12" Keyway	£0.99
32	112-0020	219 CZ Chain (110-Link)	£15.95



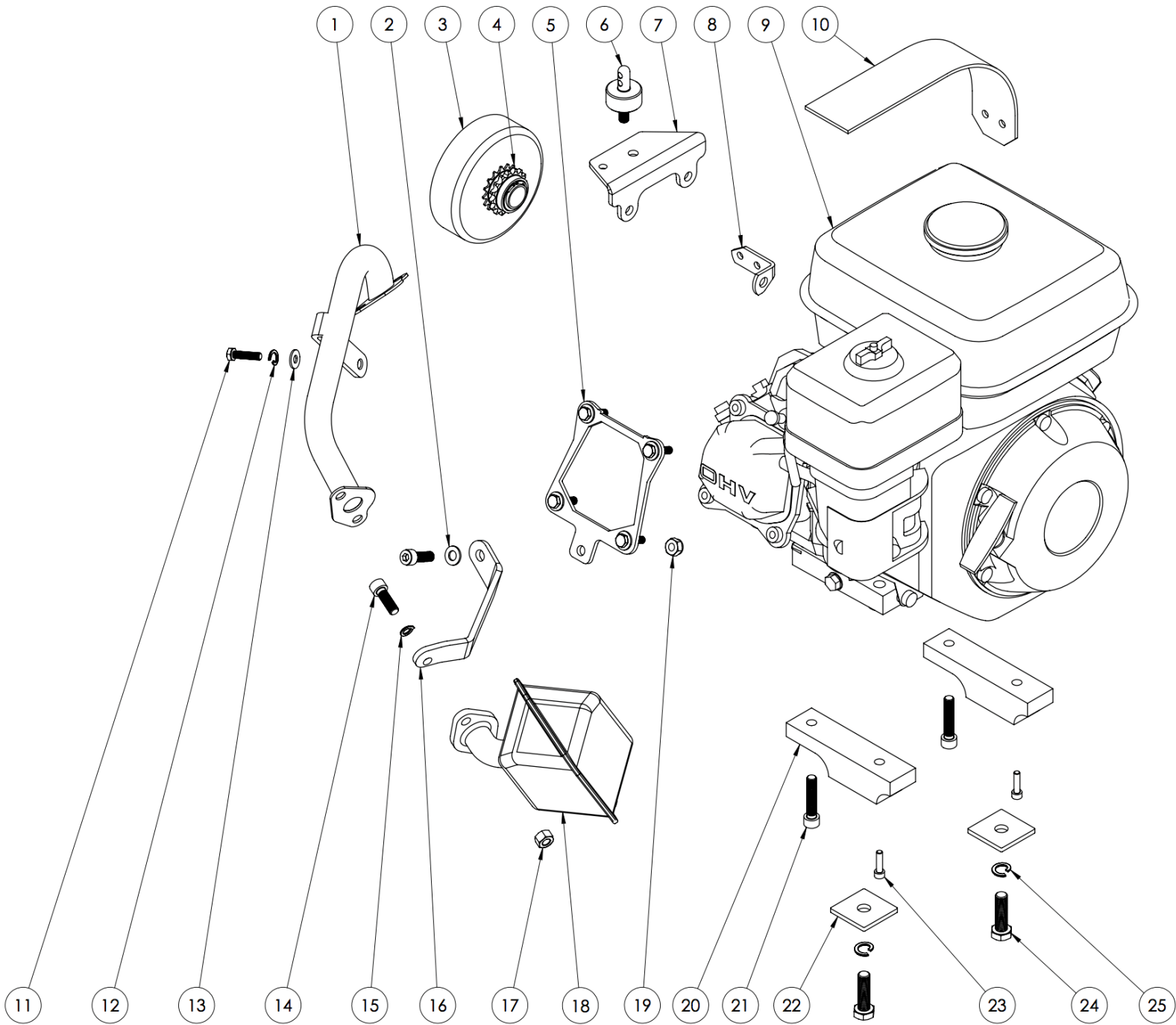
# WHEELS & TYRES



ITEM No.	PART No.	DESCRIPTION	PRICE
1	080-0115	M8 Flanged Nyloc Nut (Rear Wheel)	£0.27
2	070-0014	Short Wheel Valve	£1.00
3	070-0010	120mm Mono Rear Wheel HD	£23.80
8	062-0000	Duro Highline 450 Front Tyre	£11.95
5	081-0143	6004 Wheel Bearing 42/20	£1.25
6	080-0111	M16 Nyloc Nut (Front Wheel)	£0.60
7	070-0018	20mm Front Wheel Centre Bearing (42mm)	£24.20



# ENGINE (GX120)



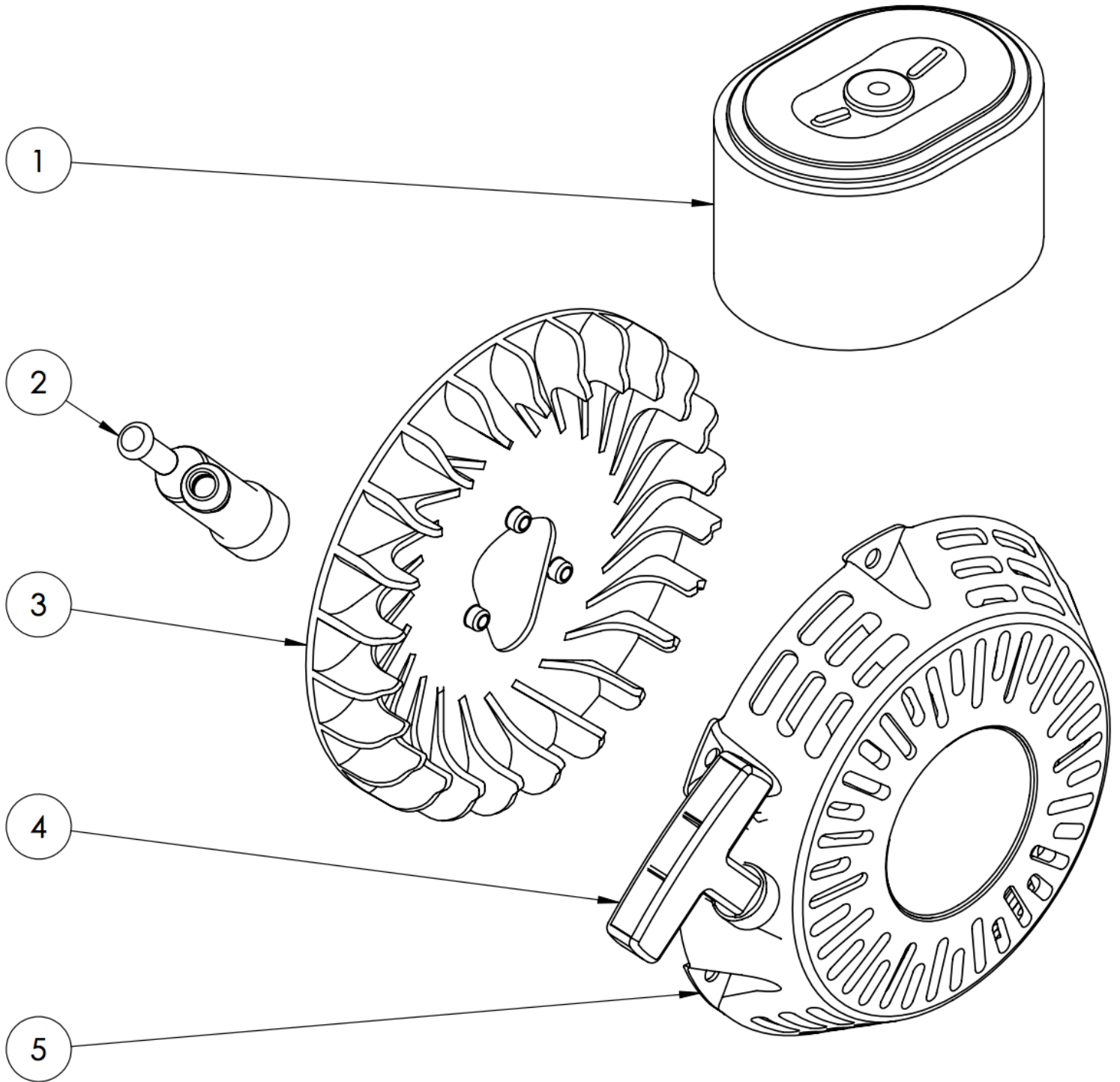


# ENGINE (GX120)

ITEM No.	PART No.	DESCRIPTION	PRICE
1	045-0061	No.5 Manifold	£25.00
2	080-0133	M8 'A' Washer	£0.10
3	110-0022	Noram BE Clutch (16T 219)	£51.95
4	110-0034	Noram BE Clutch Drum (16T)	£27.50
5	170-0059	Exhaust Support Bracket (1289)	£8.00
6	171-0140	Large Bodywork Mount Bolt (84690)	£4.50
7	170-0174	GX120 Crankcase-Axle Cover Bracket (1423)	£4.95
8	170-0175	GX120 Small Chain Guard Bracket (1479)	£2.50
9	040-0001	GX120 Engine (QH4)	£239.00
10	121-0037	Narrow Chain Guard Strip (BKT415)	£2.00
11	080-0095	M6 x 20 HEX (Manifold-to-Engine)	£0.10
12	080-0189	M6 Spring Washer	£0.05
13	080-0135	1/4" Washer	£0.10
14	080-0041	M8 x 25 CAP (1624-to-1289 / Manifold-to-1624)	£0.15
15	080-0190	M8 Spring Washer	£0.10
16	045-0061	No.5 Manifold-Engine Support Bracket (1624)	£25.00
17	080-0074	M8 Full Nut	£0.10
18	N.N.S.	GX120 Top Exhaust	P.O.R.
19	080-0114	M8 Nyloc Nut	£0.10
20	046-0010	Low Engine Mount (81380)	£5.00
21	080-0044	M8 x 40 CAP (Engine Mount-to-Engine)	£0.20
22	080-0161	4mm Square Engine Washer (1249)	£1.00
23	080-0046	M8 x 50 CAP (Engine Mount-to-Engine)	£0.25
24	080-0084	M10 x 35 HEX (Engine Mount-to-Chassis)	£0.20
25	080-0191	M10 Spring Washer	£0.05
26	110-0008	Clutch Bearing	£3.35
27	080-0051	Clutch Fitting Washer Kit (60102)	£3.41
28	080-0052	Fibre Clutch Washer	£1.80
29	110-0050	4mm Dry Clutch Keyway	£1.00
30	110-0008	Noram Clutch Bearing	£3.35
31	110-0089	Noram Clutch Circlip	£1.80
32	080-0177	1" Long Clutch Bolt	£1.00



# PATTERN PARTS





# PATTERN PARTS

ITEM No.	PART No.	DESCRIPTION	PRICE
1	043-0087	GX120 Air Filter	£4.95
2	043-0050	Plug Cap	£6.44
3	043-0038	Flywheel Cooling Fan	£5.13
4	043-0028	Recoil Starter Handle	£2.61
5	043-0023	Pull Start	£17.95
6	043-0029	Pull Start Rope	£2.56
7	043-0070	Air Cleaner Elbow Assembly	£15.00
8	043-0089	Air Box Breather Tube	£1.50
9	043-0031	Engine Switch	£7.61

***Please phone +44 (0) 208 443 3300 quoting engine make, model and number when ordering specific engine parts***