

EVO3 CADET PARTS BOOK



TeamSport
1 in UK Indoor Karting

TEAMSPORT MITCHAM

For Updated Prices, Please Check

shop.bizkarts.com



CONTENTS

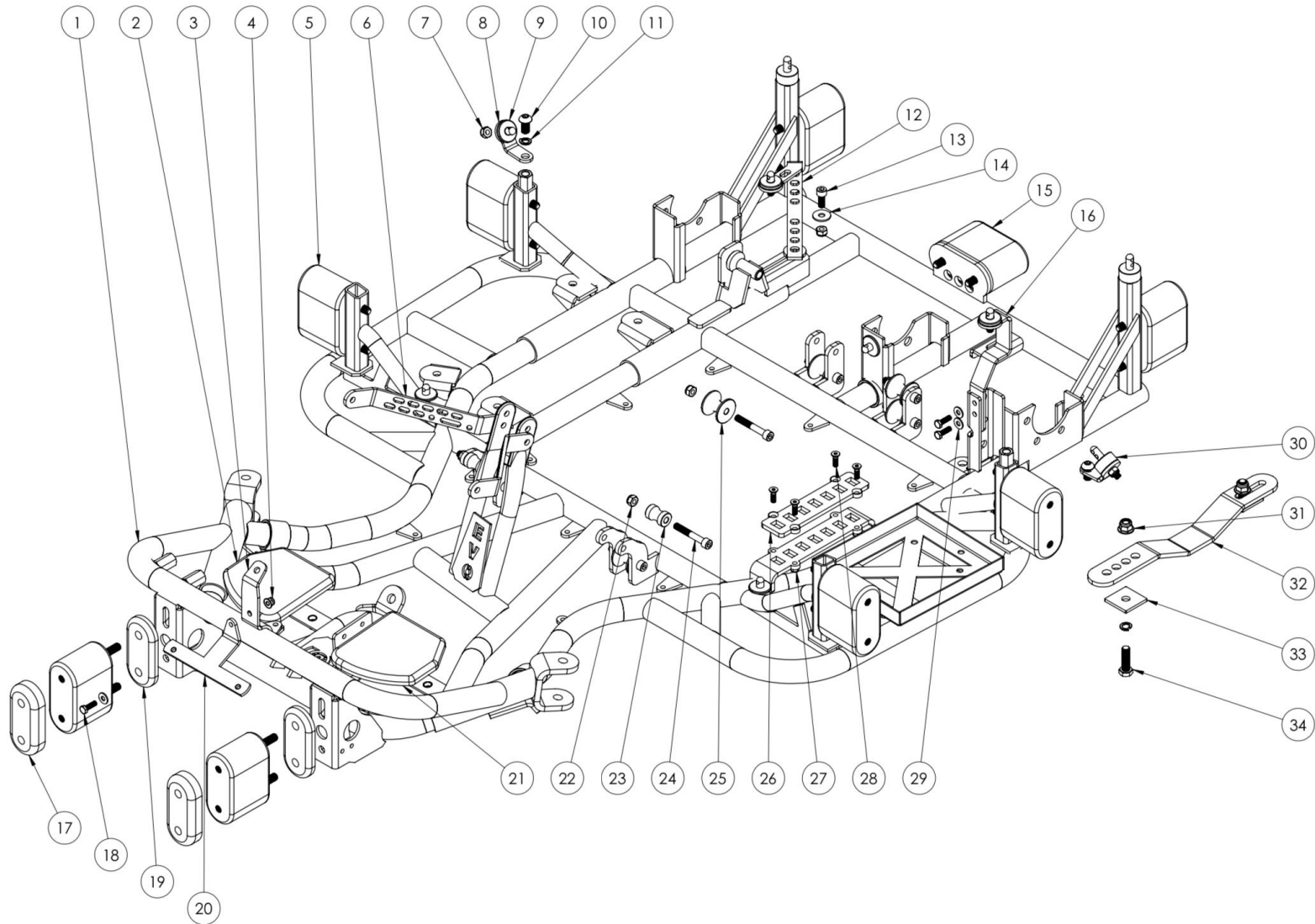
CHASSIS	1
WRAP & BODYWORK	3
PEDALS	5
MASTER CYLINDER	7
STEERING	9
FUEL SYSTEM	11
SEAT CRADLE	13
DRIVE TENSIONER	15
BRAKE CALIPER	16
REAR AXLE	17
WHEELS & TYRES	19
ENGINE	20
PATTERN PARTS	23
GEARBOX	25
EXHAUST	26

Part Prices subject to change without notification

All prices exclude VAT & delivery where applicable



CHASSIS





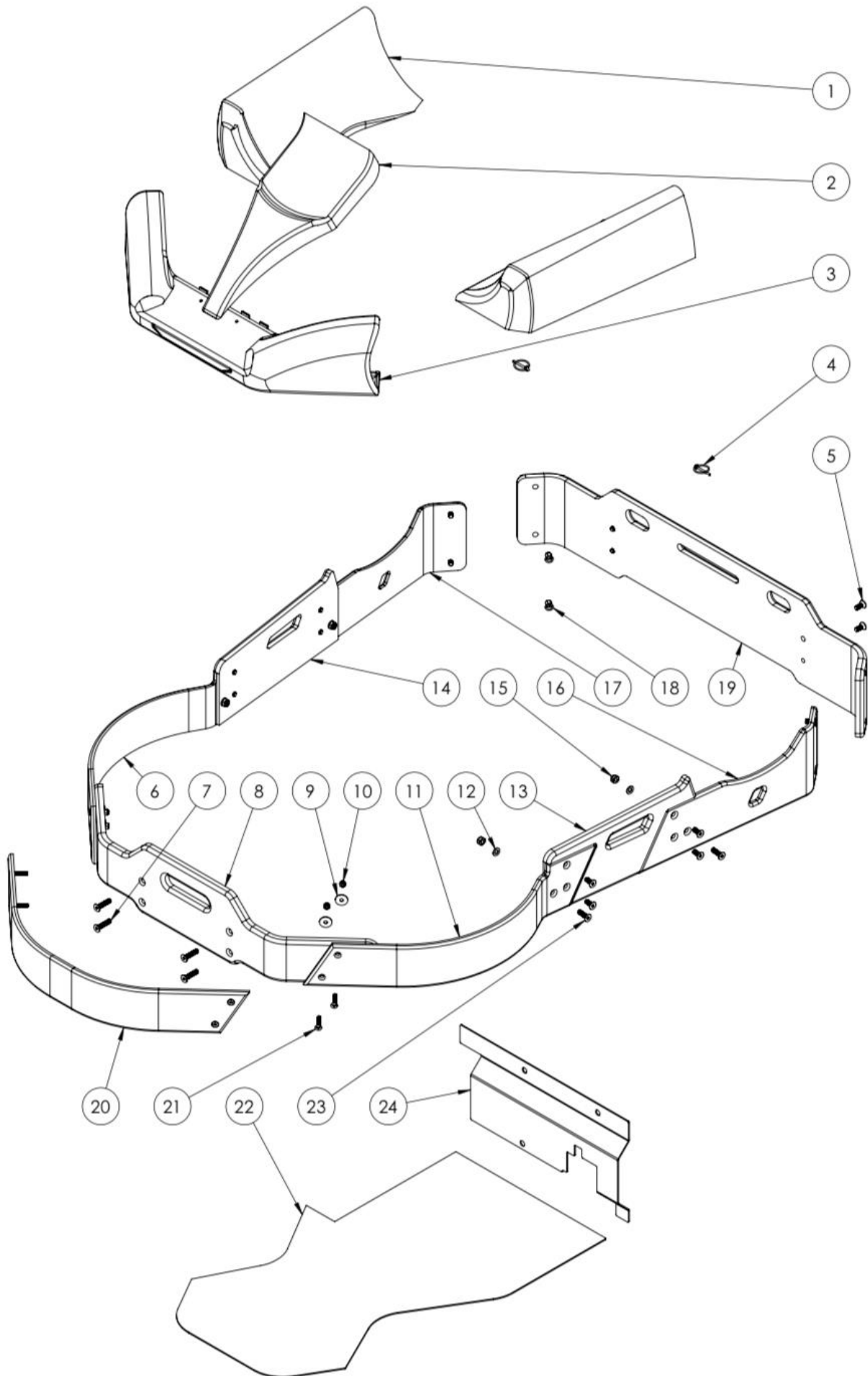
CHASSIS

ITEM No.	PART No.	DESCRIPTION	PRICE
1	034-0011	Evo3 Cadet Chassis	£720.00
2	124-0026	Evo3 Cadet Footplate RH (BKT227)	£7.00
3	085-0061	Cadet Lower Nassau Panel Bracket (1412)	£6.00
4	080-0178	M6 Flanged Nyloc Nut	£0.20
5	080-0165	Vertical Impact Buffer (Long-Stud)	£12.00
6	085-0047	Upper Nassau Panel Bracket (1358)	£2.50
7	080-0114	M8 Nyloc Nut	£0.10
8	171-0089	Evo3 Rear Pod Cover Mount (1998)	£8.00
9	171-0139	Small Bodywork Mount Bolt (84688)	£3.50
10	N.N.S.	M10 x 16 BUT (1998-to-Chassis)	P.O.R.
11	080-0191	M10 Spring Washer	£0.05
12	171-0086	Evo3 Rear Belt Guard Support (1992)	£8.00
13	080-0040	M8 x 20 CAP (1992-to-Chassis)	£0.15
14	080-0188	M8 'C' Washer	£0.05
15	080-0154	Vertical Impact Buffer (Short-Stud)	£11.00
16	171-0080	Evo3 LH Axle Cover Support (1973)	£7.00
17	121-0162	Cadet Front Rubber Spacer 20mm (BKT232)	£2.50
18	080-0095	M6 x 20 HEX (1421-to-1412 / 1973-to-Chassis)	£0.10
19	121-0089	Cadet Front Rubber Spacer 12mm (BKT172)	£4.00
20	170-0056	Cadet Front Fairing Support (1421)	£10.00
21	124-0025	Evo3 Cadet Footplate LH (BKT226)	£7.00
22	080-0115	M8 Flanged Nyloc Nut	£0.27
23	123-0014	No Flange Nylon Seat Roller (81980)	£4.00
24	080-0047	M8 x 55 CAP (Seat Roller-to-Chassis)	£0.25
25	123-0004	Full Flange Nylon Seat Roller (80356)	£4.00
26	170-0183	7-Slot Adjustment Top Plate (1593)	£4.50
27	080-0112	M6 Nyloc Nut	£0.10
28	080-0058	M6 x 20 CSK (1593-to-Chassis)	£0.15
29	080-0135	¼" Washer	£0.10
30	171-0140	Large Bodywork Mount Bolt (84690)	£4.50
31	080-0209	M10 Flanged Nyloc Nut	£0.30
32	171-0040	Brake Disc Skid Guard (1263)	£5.50
33	080-0161	40mm Square Washer (1249)	£1.00
34	080-0084	M10 x 35 HEX (1263-to-Chassis)	£0.20
35	170-0057	Cadet Lower Front Fairing Bracket LH (1692-LH) *	£3.50
36	170-0057	Cadet Lower Front Fairing Bracket RH (1692-RH) *	£3.50

**Please specify LH or RH*



WRAP & BODYWORK





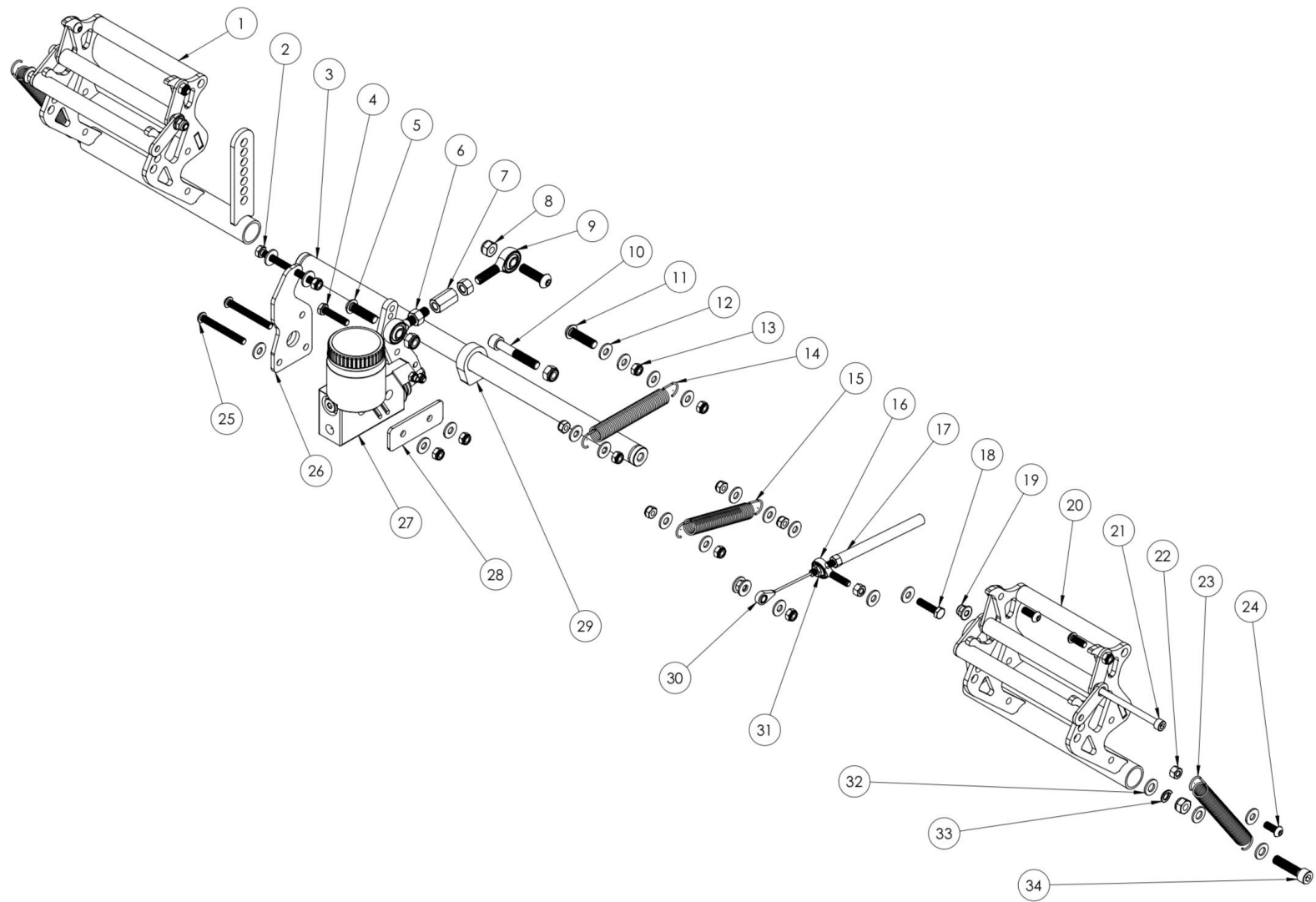
WRAP & BODYWORK

ITEM No.	PART No.	DESCRIPTION	PRICE
1	093-0015	Stilo Pod Cover (Pair) *	£31.00
2	097-0027	Cadet Nassau Panel	£7.50
3	096-0004	02 Nose Cone	£28.00
4	080-0116	Axle Cover Locking Pin	£0.45
5	080-0144	M10 x 25 CSK (Side & Rear Bumper-to-Buffer Bolt)	£0.20
6	124-0024	Evo3 Cadet Front Corner RH (BKT102)	£20.00
7	N.N.S.	M10 x 45 CSK (Front Bumper-to-Buffer Bolt)	P.O.R.
8	120-0027	Cadet Front Bumper (BKT186)	£36.00
9	080-0132	M8 Repair Washer	£0.20
10	080-0114	M8 Nyloc Nut	£0.10
11	124-0023	Evo3 Cadet Front Corner LH (BKT101)	£20.00
12	080-0186	M10 'A' Washer	£0.05
13	124-0028	Evo3 Cadet Side Bumper LH (BKT488-LH)	£15.00
14	124-0029	Evo3 Cadet Side Bumper RH (BKT488-RH)	£15.00
15	080-0108	M10 Nyloc Nut	£0.15
16	124-0007	Evo3 Rear Corner LH (BKT454-LH)	£16.00
17	124-0006	Evo3 Rear Corner RH (BKT454-RH)	£16.00
18	080-0004	Rear Bumper Rivet Nut	£0.50
19	124-0027	Evo3 Cadet Rear Bumper (BKT103)	£39.00
20	N.N.S.	Cadet Angled Front Spring (BKT364)	P.O.R.
21	080-0064	M8 x 45 CSK (Front Corner-to-Front Bumper Bolt)	£0.25
22	099-0006	Evo3 Cadet Floor Tray (BKT100)	£15.00
23	080-0182	M10 x 35 CSK (Front/Rear Corner-to-Side Bumper Bolt)	£0.25
24	099-0004	Evo3 Cadet Rear Blind (BKT104)	£12.00
25	100-0019	Evo Axle Cover (RH Engine)	£78.00
26	100-1027	Engine Cover	£32.00
27	080-0000	M10 CSK Washer (83352)	£1.20
28	080-0226	M10 x 16 CSK (Nassau Panel-to-Bracket)	£0.20
29	085-0064	Custom Graphics Kit	£75.00

**Please specify 'Cadet Pod Cover' if ordering RHS (for Side Tank)*



PEDALS



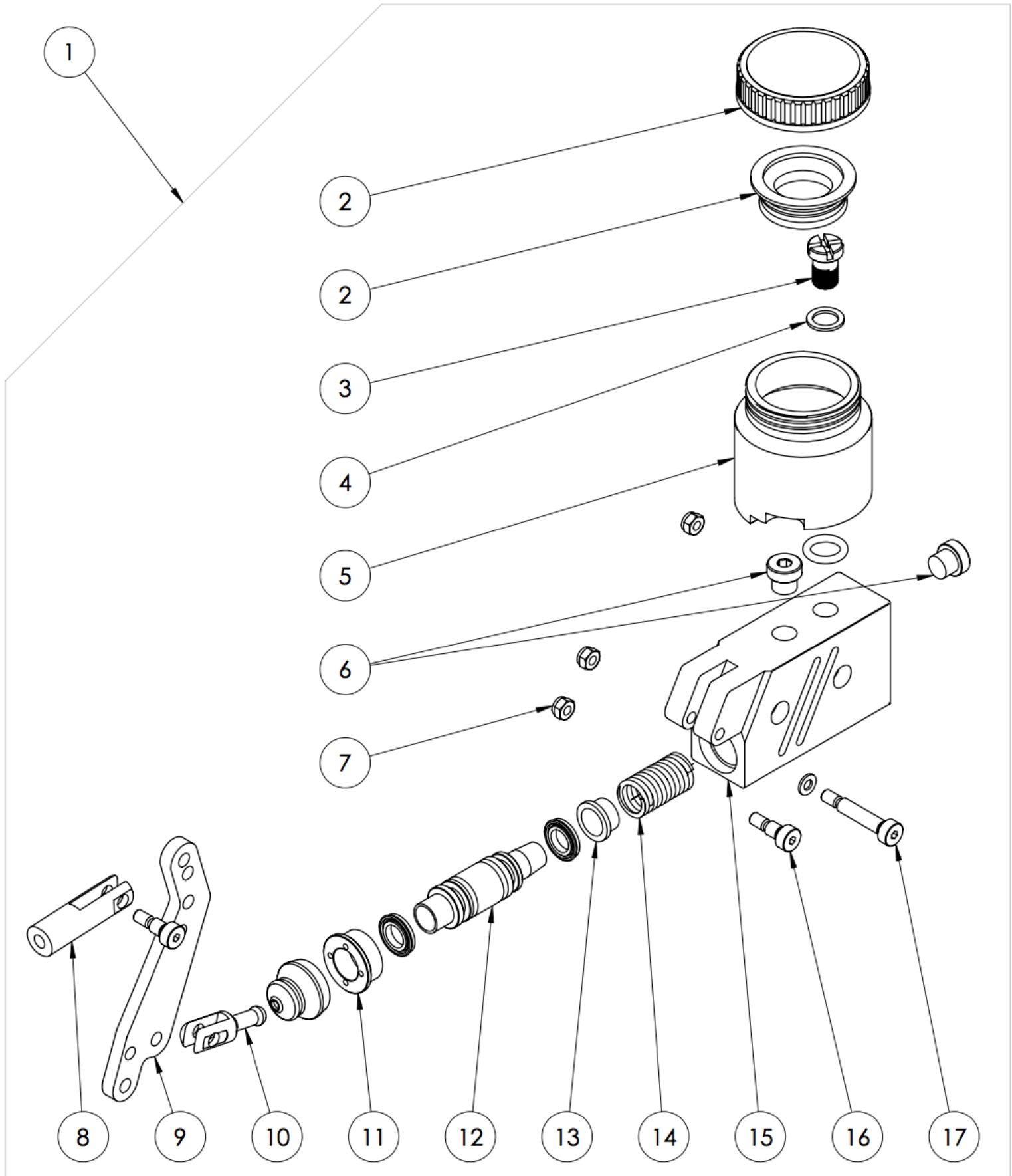


PEDALS

ITEM No.	PART No.	DESCRIPTION	PRICE
1	N.N.S.	Evo3 Cadet Brake Pedal	P.O.R.
2	080-0219	M6 x 70 HEX (Master Cylinder Return Bolt)	£0.25
3	N.N.S.	Evo3 Cadet Pedal Inner Tube	P.O.R.
4	080-0218	M6 x 30 HEX (Throttle Cable-to-Master Cylinder Bolt)	£0.15
5	N.N.S.	M8 x 30 BUT (Brake Pedal-to-Master Cylinder)	P.O.R.
6	080-0074	M8 Full Nut	£0.10
7	080-0026	HEX Connector (M8 x 24mm)	£0.20
8	080-0114	M8 Nyloc Nut	£0.10
9	077-0007	M8 Rod End Bearing (Male)	£2.10
10	080-0046	M8 x 50 CAP (Pedal Centre Support-to-Chassis)	£0.25
11	080-0030	M6 x 30 BUT (Brake Pedal Spring Bolt)	£0.16
12	080-0135	1/4" Washer	£0.10
13	080-0112	M6 Nyloc Nut	£0.10
14	085-0016	Anti-Double Pedal Return Spring (Evo3/NG)	£1.70
15	085-0052	Throttle Pedal Return Spring (Manifold Spring)	£0.35
16	N.N.S.	M6 Rod End Bearing (Male)	P.O.R.
17	085-0030	Bolt-On Throttle Cable Assembly	£10.50
18	080-0096	M6 x 25 HEX (Throttle Pedal Spring Bolt)	£0.10
19	080-0178	M6 Flanged Nyloc Nut	£0.20
20	N.N.S.	Evo3 Cadet Throttle Pedal	P.O.R.
21	080-0169	M6 x 180 CAP (Flip-Over Pedal Bolt)	£3.00
22	080-0073	M6 Full Nut	£0.10
23	085-0050	Flip-Over Pedal Spring (Medium)	£0.35
24	080-0028	M6 x 16 BUT (Flip-Over Connector / Flip-Over Spring Bolt)	£0.15
25	N.N.S.	M6 x 55 BUT (Master Cylinder-to-Chassis)	P.O.R.
26	171-0083	Master Cylinder Return Spring Mount (1841)	£2.25
27	115-0045	BIZ Master Cylinder	£99.50
28	170-0198	Master Cylinder Fastener Brace Plate (1995)	£2.95
29	123-0021	NG/Evo3 Pedal System Centre Support (1855-3)	£10.00
30	085-0023	Bolt-On Throttle Cable (Inner)	£3.90
31	N.N.S.	M6 Half Nut	P.O.R.
32	080-0133	M8 'A' Washer	£0.10
33	080-0190	M8 Spring Washer	£0.10
34	080-0043	M8 x 35 CAP (Pedal-to-Chassis Bolt)	£0.20



MASTER CYLINDER

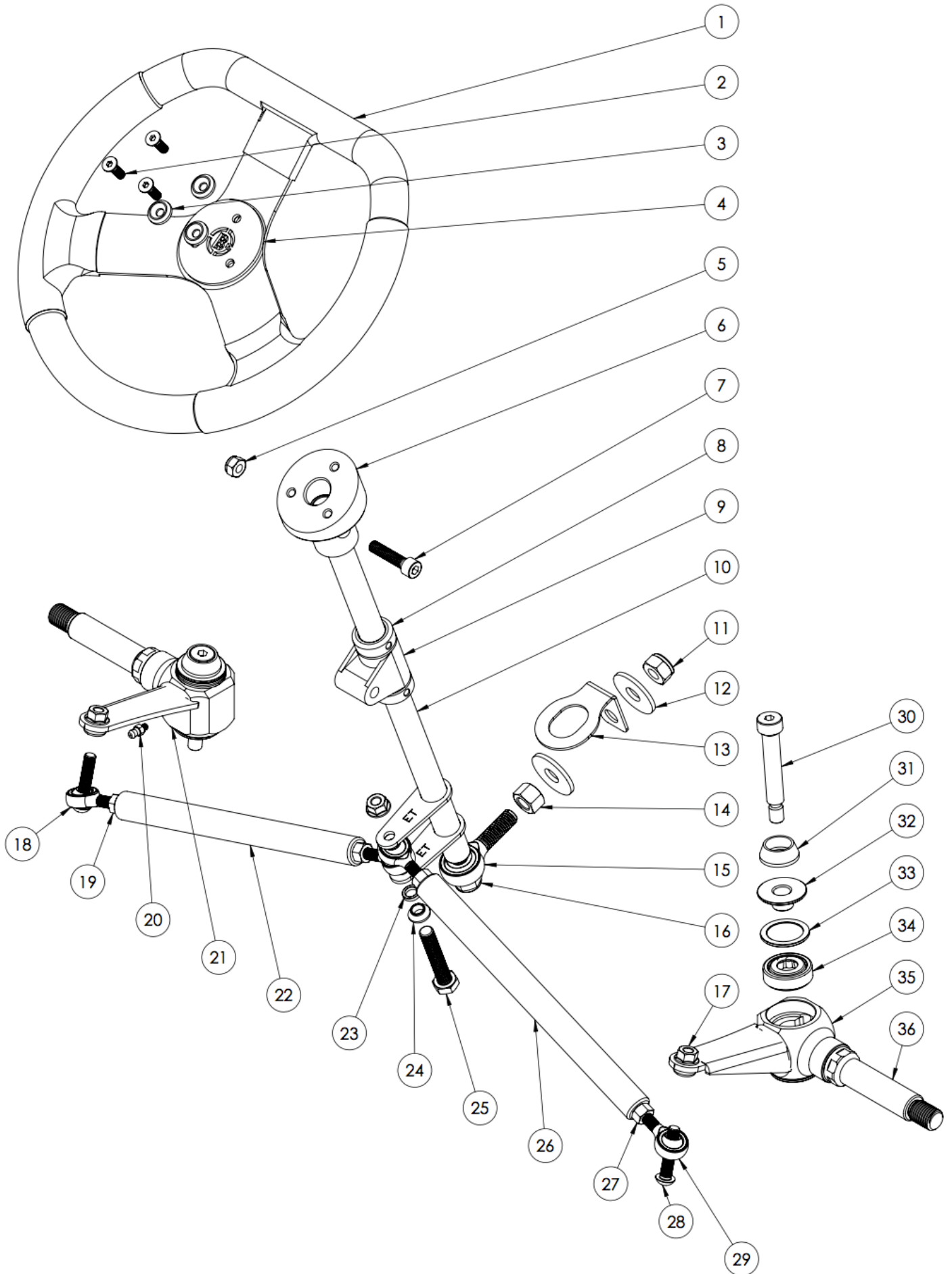




MASTER CYLINDER

ITEM No.	PART No.	DESCRIPTION	PRICE
1	115-0045	BIZ Master Cylinder	£99.50
2	115-0044	Cylinder Cap & Reservoir Bellows	£17.20
3	115-0125	Reservoir Seat Screw	£4.00
4	115-0087	Copper Washer	£0.28
5	115-0122	Brake Fluid Reservoir	£20.00
6	115-0109	Master Cylinder Blanking Screw	£1.00
7	080-0176	M5 Nyloc Nut	£0.10
8	115-0123	Master Cylinder Puller Clevis	£8.00
9	115-0076	Master Cylinder Pull Arm	£5.30
10	115-0124	Master Cylinder Pusher Clevis	£8.00
11	115-0128	Piston Retaining Divit Screw	£12.00
12	115-0098	Master Cylinder Piston	£10.00
13	115-0126	Master Cylinder Piston Spring Seat	£4.00
14	115-0079	Master Cylinder Piston Spring	£0.98
15	115-0127	Master Cylinder Body	£50.00
16	115-0081	Pivot Bolt (Short)	£0.22
17	115-0080	Pivot Bolt (Long)	£0.28
18	115-0047	Master Cylinder Repair Kit	£12.90
19	115-0114	Master Cylinder Seal Fitting Tool	£31.00

B STEERING



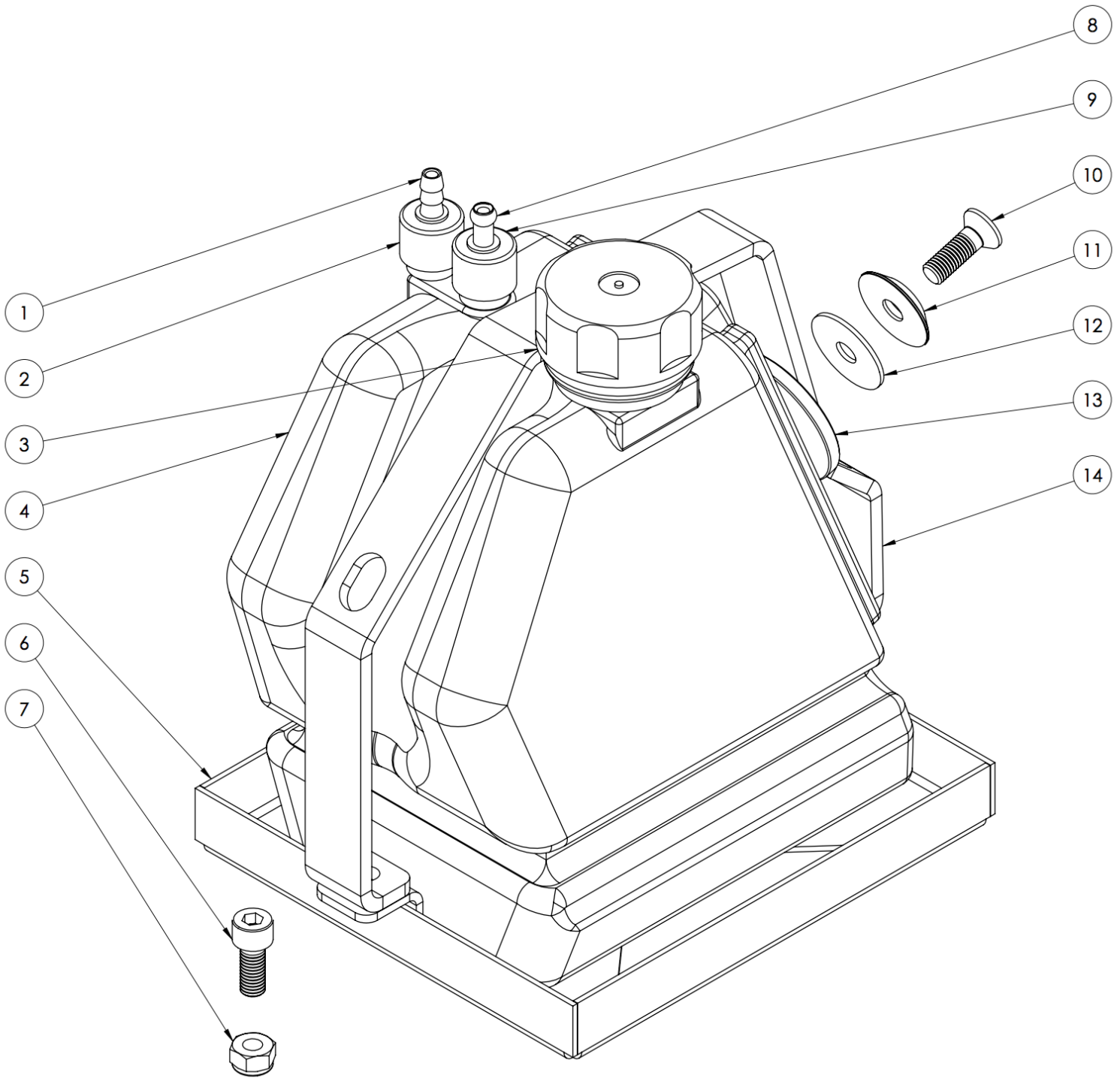


STEERING

ITEM No.	PART No.	DESCRIPTION	PRICE
1	083-0009	Ø300mm Flat-Top Rental Steering Wheel	£22.45
2	080-0059	M6 x 30 CSK (Steering Wheel-to-Boss)	£0.16
3	080-0069	M6 CSK Washer (60266)	£0.34
4	170-0176	Steering Wheel Centre Reinforcing Plate (1405)	£3.00
5	080-0114	M8 Nyloc Nut	£0.10
6	083-0004	Steep Angle Steering Boss (80722)	£8.30
7	080-0043	M8 x 35 CAP (Boss-to-Column)	£0.20
8	170-0047	Safety Ring (60328)	£3.00
9	170-0044	Steering Bush (K010CN)	£1.35
10	074-0005	Cadet Steering Column (TT)	£21.50
11	080-0109	M12 Nyloc Nut	£0.20
12	080-0127	M12 'C' Washer	£0.10
13	084-0022	Steering Column Retainer (1781)	£5.00
14	080-0076	M12 Full Nut	£0.15
15	077-0020	M12 Male Steering Column Bearing	£12.50
16	080-0108	M10 Nyloc Nut	£0.15
17	080-0209	M10 Flanged Nyloc Nut	£0.30
18	077-0002	M10 Male Rod End Bearing LH	£4.50
19	080-0072	M10 Full Nut LH	£0.25
20	084-0023	Grease Nipple	£1.00
21	075-0069	M10 Billet Stub LH (Narrow Track)	£33.00
22	077-0079	B.M.E. Track Rod 230 x 10mm LH	£9.50
23	084-0014	Rod End-to-Stub Axle Spacer (16mm x 10.7mm x 4.5mm)	£0.45
24	084-0016	M10 Tapered Spacer (83558)	£0.70
25	080-0089	M10 x 65 HEX (Rod End-to-Spade)	£0.18
26	077-0069	B.M.E. Track Rod 250 x 10mm RH	£9.50
27	080-0071	M10 Full Nut RH	£0.10
28	N.N.S.	M10 x 40 BUT (Track Rod-to-Stub Axle)	P.O.R.
29	077-0003	M10 Male Rod End Bearing RH	£4.50
30	075-0007	Taper Stub Kingpin	£3.50
31	084-0039	Aluminium Kingpin Surround - 8mm Yoke (1856)	£2.75
32	084-0000	Taper Stub Top Hat (70622)	£3.00
33	075-0005	Taper Stub Dust Seal	£2.00
34	075-0014	Taper Stub Bearing	£3.55
35	075-0070	M10 Billet Stub RH (Narrow Track)	£33.00
36	080-0167	20mm HEX Stub Axle Shaft (83202)	£9.00
37	080-0195	M6 x 10 CAP (Stub Axle Body)	£0.15



FUEL SYSTEM



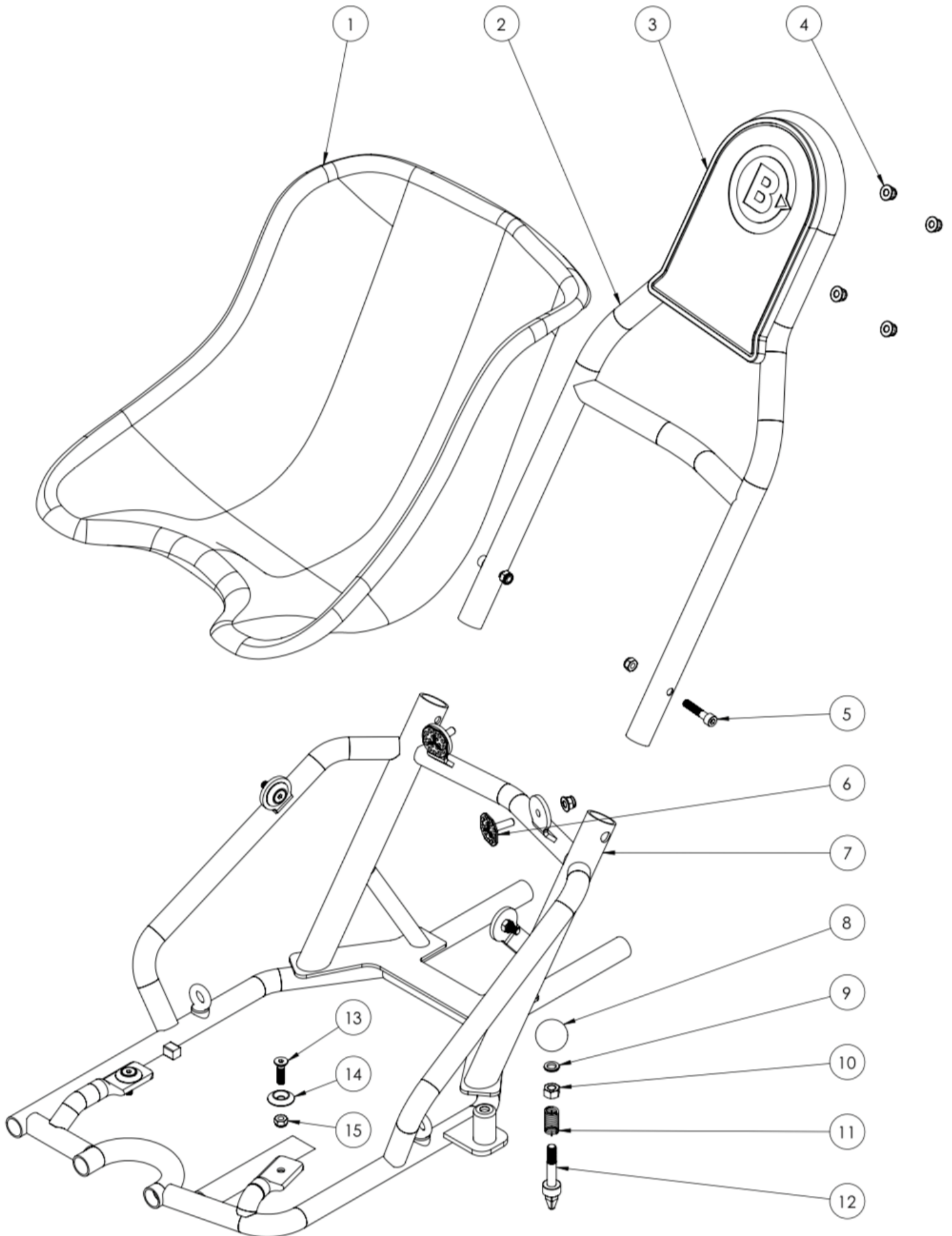


FUEL SYSTEM

ITEM No.	PART No.	DESCRIPTION	PRICE
1	101-1027	Fuel Tank Hose Tail	£4.00
2	101-0014	Fuel Tank Cap Red Feed	£0.50
3	101-0011	Fuel Tank Cap & Seal	£2.50
4	101-0016	3.5ltr White Fuel Tank	£22.00
5	171-0068	3.5ltr Tank Tray (1608)	£15.00
6	080-0040	M8 x 20 CAP (1628-to-1608)	£0.15
7	080-0114	M8 Nyloc Nut	£0.10
8	101-0002	Fuel Tank Take-Off	£3.00
9	101-0010	Fuel Tank Cap Black Breather	£0.50
10	080-0061	M8 x 25 CAP (1628-to-Tank)	£0.13
11	080-0070	M8 CSK Washer (60280)	£0.75
12	080-0132	M8 Repair Washer	£0.20
13	104-0035	Spacer (Ø50mm x 5mm)	£0.50
14	171-0161	3.5ltr Tank Handle (1628)	£6.60
15	045-0013	Fuel Impulse Pump 4-Cycle	£28.50
16	101-0001	Inline Fuel Filter (K209/B)	£1.98
17	101-1026	Fuel Pipe Butterfly Clip	£0.25
18	101-0005	Clear Fuel Pipe (per metre)	£1.55
19	101-1023	Viton Fuel Tank Cap Seal	£3.45
20	045-0059	Fuel Pump Diaphragm Kit	£5.65
21	101-0022	Catch Tank (K186) & Holder (K285N)	£2.50



SEAT CRADLE



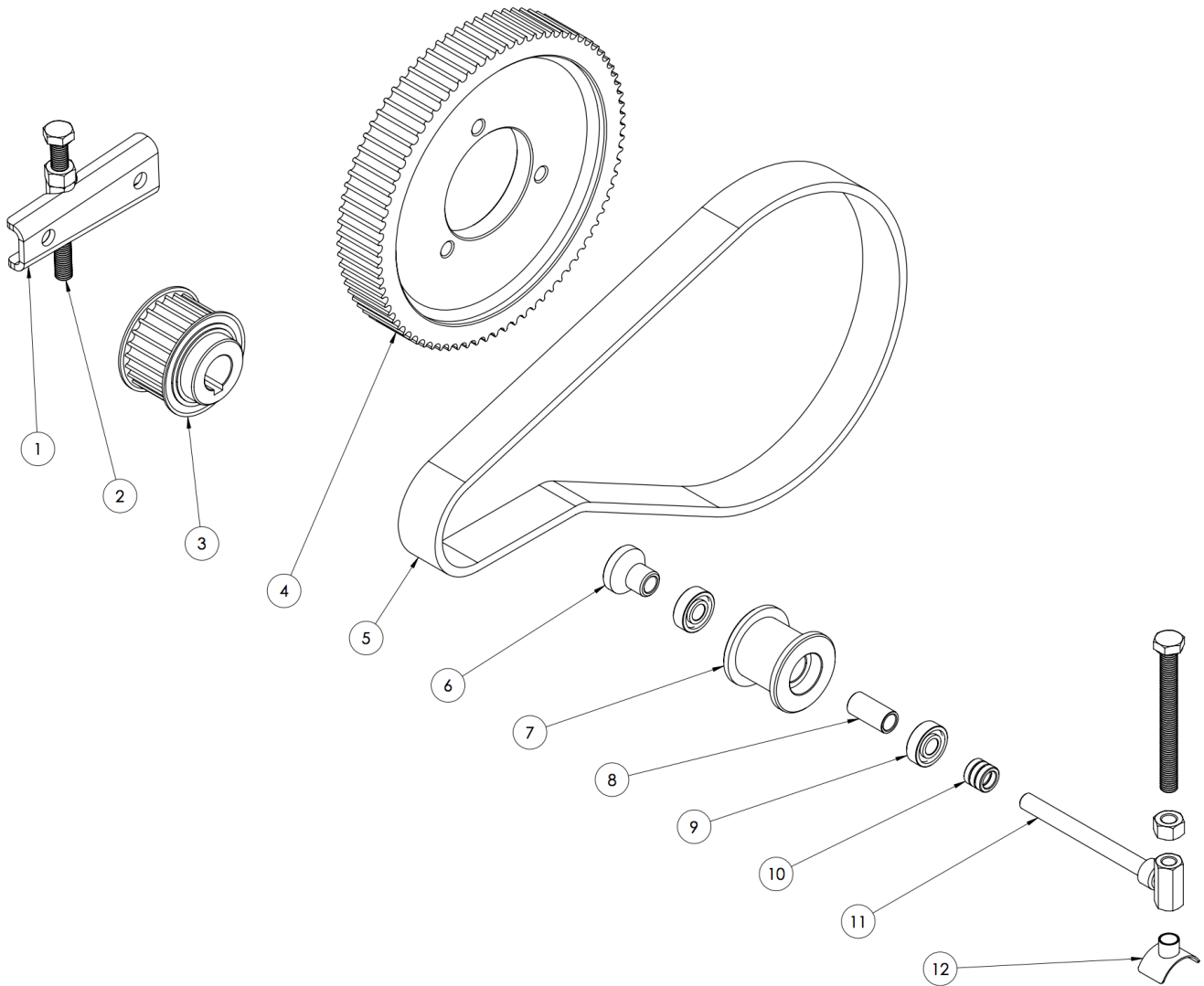


SEAT CRADLE

ITEM No.	PART No.	DESCRIPTION	PRICE
1	104-0005	Vacuum Formed Plastic Seat Medium	£64.00
2	N.N.S.	Cadet Roll Bar	P.O.R.
3	N.N.S.	BIZ Headrest	P.O.R.
4	080-0115	M8 Flanged Nyloc Nut	£0.27
5	080-0045	M8 x 45 CAP (Roll Bar-to-Seat Frame)	£0.25
6	080-0019	M8 BigHead Seat Bolt	£1.50
7	N.N.S.	Evo3 Cadet Sliding Seat Frame	P.O.R.
8	080-0003	Seat Adjuster Ball	£3.00
9	080-0173	M10 NordLock Washer	£1.00
10	080-0071	M10 Full Nut	£0.10
11	043-0051	Valve Spring	£0.70
12	123-0007	Seat Location Pin (81026)	£8.00
13	080-0062	M8 x 30 CSK (Seat-to-Cradle)	£0.16
14	080-0070	M8 CSK Washer (60280)	£0.75
15	080-0114	M8 Nyloc Nut	£0.10



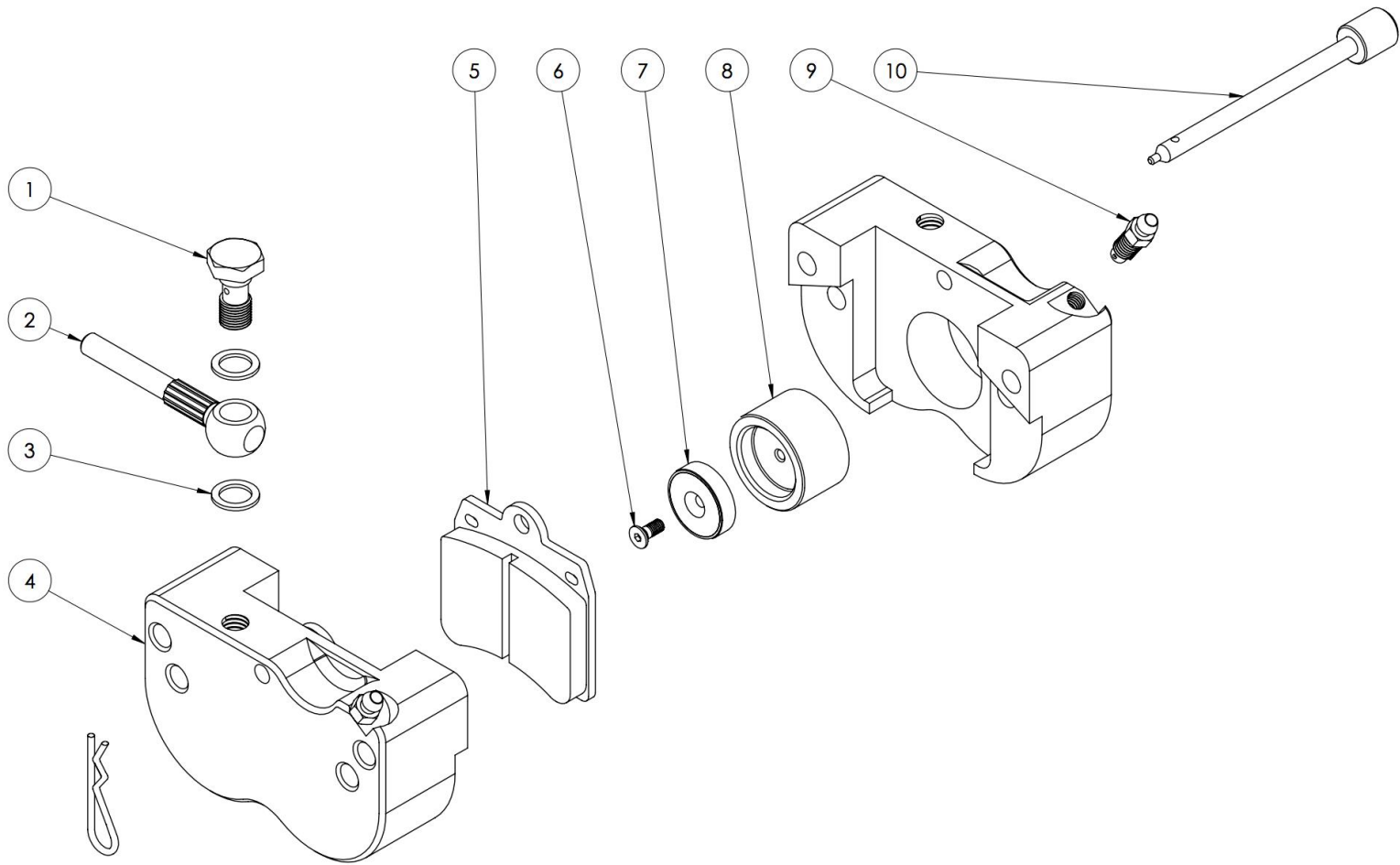
DRIVE TENSIONER



ITEM No.	PART No.	DESCRIPTION	PRICE
1	170-0133	Evo3 Junior/Cadet Drive Tensioner (1959)	£15.00
2	080-0091	M10 x 100 HEX (Tensioner Support)	£0.90
3	114-0051	24T Pilot Bored Pulley (22mm Shaft)	£24.00
4	114-0055	60T Rear Belt Drive Pulley (81400)	£54.00
5	114-0031	880 Drive Belt	£20.00
6	084-0040	GX160/200 Tensioner Arm Spacer (2025)	£2.30
7	140-0032	BIZ Flanged Tensioner Roller (BKT376)	£22.00
8	084-0024	Tensioner Roller Internal Spacer (60538-1)	£0.54
9	075-0028	6000-2RS Bearing	£0.44
10	084-0015	Spacer Ø16mm x Ø10.7mm x 4.5mm (82920)	£0.45
11	170-0103	Tensioner Roller 2nd Support Bolt	£8.00
12	170-0132	Tensioner Horseshoe Chassis Support	£6.00
13	113-0017	6mm x 12" Keyway	£0.99



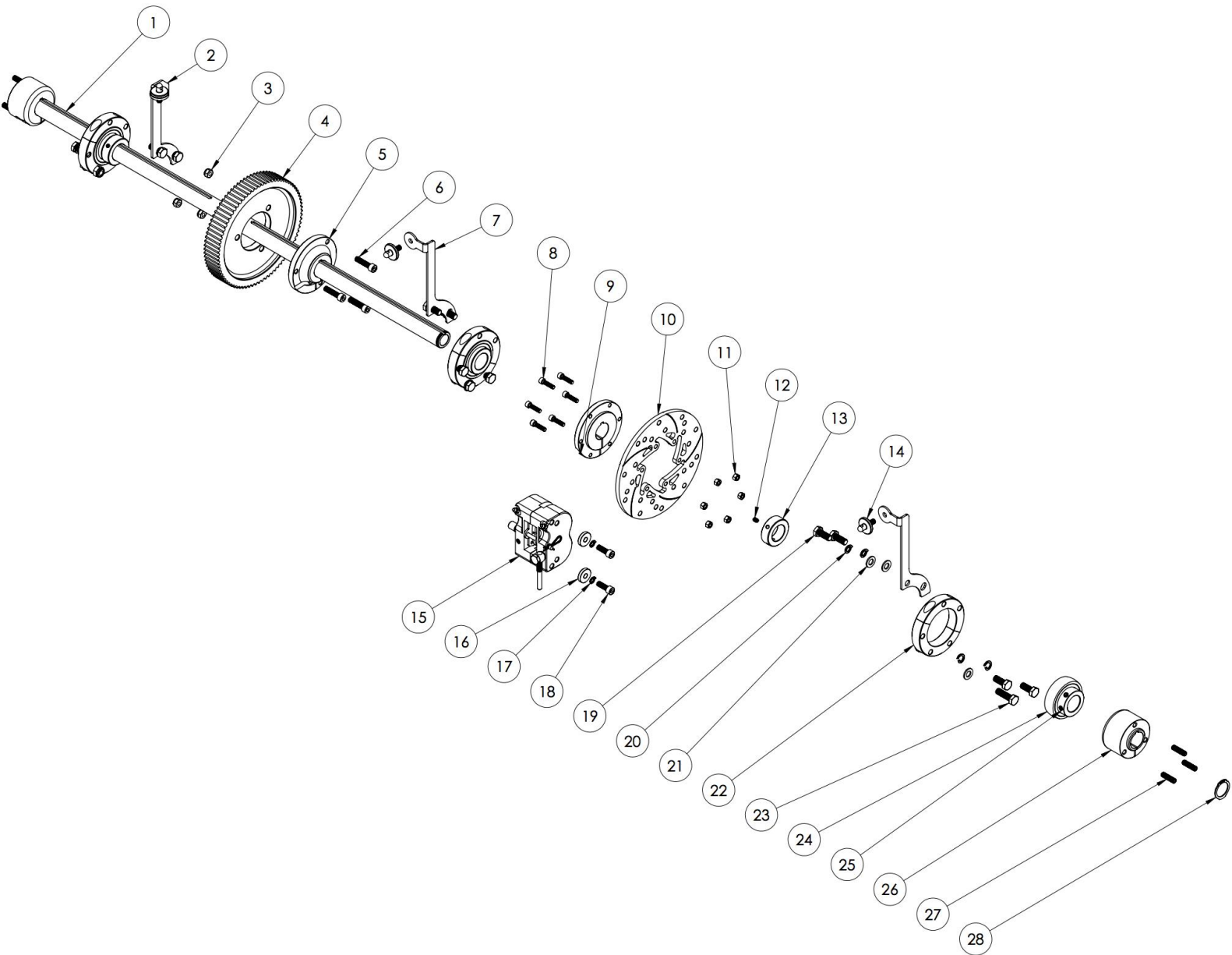
BRAKE CALIPER



ITEM No.	PART No.	DESCRIPTION	PRICE
1	115-0086	Banjo Bolt	£2.95
2	115-0038	Brake Hose (1315mm)	£19.00
3	115-0087	Banjo Copper Washer	£0.28
4	115-0004	BIZ Corporate 'B' Brake Caliper	£109.00
5	115-0006	Standard Red Brake Pad Set	£7.50
5	115-0006	Standard Red Brake Pad Set (10 Sets)	£45.00
6	115-0014	Brake Caliper Piston Magnet CSK Screw	£0.04
7	115-0009	Brake Caliper Piston Magnet	£0.68
6	115-0016	Brake Caliper Piston	£16.34
8	115-0110	Caliper Bleed Nipple 7mm	£2.72
9	115-0025	Pad Retaining Pin (with R-Clip)	£9.53
10	140-0005	BIZ Caliper Repair Kit	£19.78
11	150-0045	DOT 5 Silicone Brake Fluid (1ltr)	£22.75
12	115-0005	BIZ Brake System (Complete)	£199.50



REAR AXLE



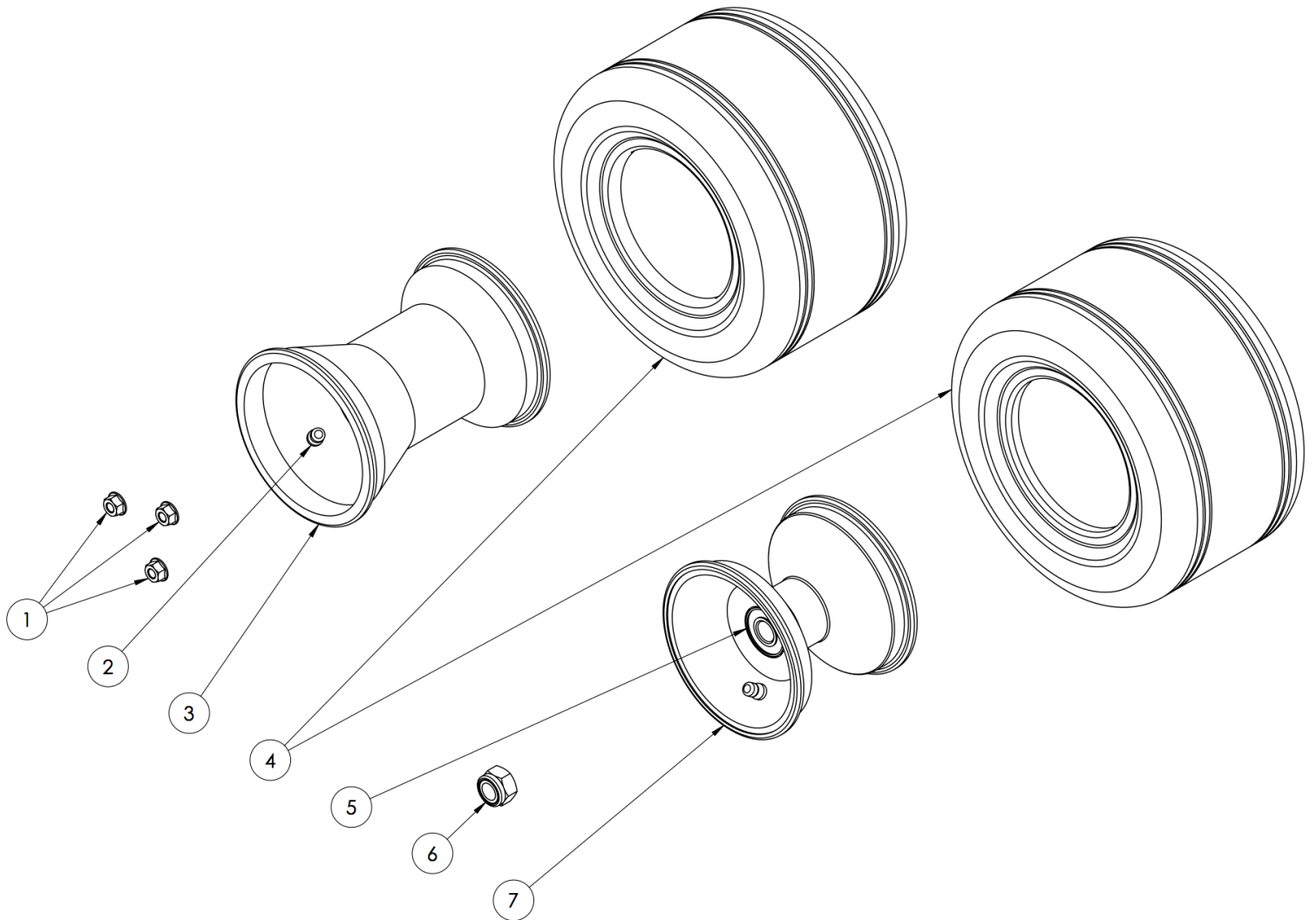


REAR AXLE

ITEM No.	PART No.	DESCRIPTION	PRICE
1	113-0005	Ø30mm 42" Hollow Rear Axle (81142)	£32.90
2	171-0084	Axle Cover-to-Bearing Carrier Mount RH (1991)	£7.50
3	080-0114	M8 Nyloc Nut	£0.10
4	114-0055	60T Rear Belt Drive Pulley (81400)	£54.00
5	114-0040	BIZ Rear Pulley Carrier HD (82714)	£15.00
6	080-0043	M8 x 35 CAP (Pulley Carrier-to-Pulley)	£0.20
7	171-0042	Rear Blind-to-Bearing Carrier Mount Centre & LH (1802-2)	£8.00
8	080-0197	M6 x 25 CAP (Brake Disc-to-Carrier)	£0.15
9	115-0099	BIZ Brake Disc Carrier HD (81368)	£15.00
10	115-0115	BIZ 8mm Ventilated & Wiper Groove Brake Disc (81542-1)	£28.00
11	080-0113	Brake Disc-to-Carrier Binx Nut	£0.40
12	080-0174	Axle Locking Ring Grub Screw	£1.00
13	080-0014	Ø30mm Axle Locking Ring (80818)	£5.00
14	171-0139	Small Bodywork Mount Bolt (84688)	£3.50
15	115-0004	BIZ Corporate 'B' Brake Caliper Assembly	£109.00
16	080-0051	Caliper-to-Chassis Top Hat Washer (60102)	£3.41
17	080-0190	M8 Spring Washer	£0.10
18	080-0041	M8 x 25 CAP (Caliper-to-Chassis)	£0.15
19	080-0083	M10 x 25 HEX (Bearing Carrier-to-Chassis)	£0.20
20	080-0191	M10 Spring Washer	£0.05
21	080-0186	M10 'A' Washer	£0.05
22	081-0035	UCX Ø30mm Autolube QC Bearing Carrier (81486)	£21.00
23	080-0084	M10 x 35 HEX (Bearing Carrier-to-Chassis)	£0.20
24	081-0007	UCX Ø30mm Autolube Axle Bearing	£7.13
25	080-0175	UCX Bearing Grub Screw	£1.00
26	076-0011	Ø30mm Rear Hub (80716)	£18.50
27	080-0105	Kelgate Wheel Stud	£3.00
28	080-0013	Ø30mm Axle Circlip	£0.35
29	113-0017	6mm x 12" Keyway	£0.99



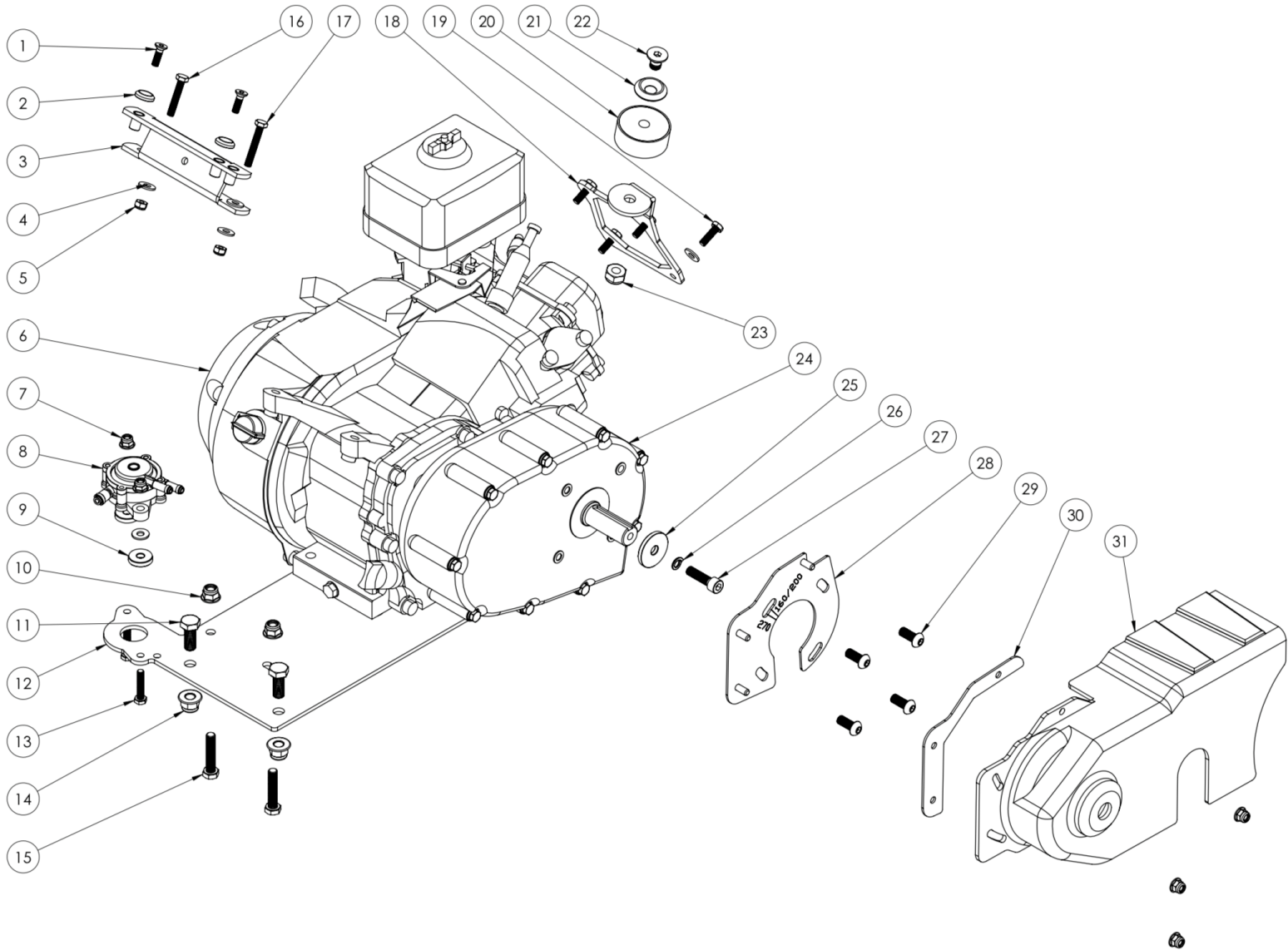
WHEELS & TYRES



ITEM No.	PART No.	DESCRIPTION	PRICE
1	080-0115	M8 Flanged Nyloc Nut (Rear Wheel)	£0.27
2	070-0014	Short Wheel Valve	£1.00
3	070-0010	120mm Mono Rear Wheel HD	£23.80
8	062-0000	Duro Highline 450 Front Tyre	£11.95
5	081-0143	6004 Wheel Bearing 42/20	£1.25
6	080-0111	M16 Nyloc Nut (Front Wheel)	£0.60
7	070-0018	20mm Front Wheel Centre Bearing (42mm)	£24.20



ENGINE (GX160)





ENGINE (GX160)

ITEM No.	PART No.	DESCRIPTION	PRICE
1	080-0058	M6 x 20 CSK (Front Engine Cover-to-1538)	£0.15
2	080-0069	M6 CSK Washer (60266)	£0.34
3	171-0069	Front Engine Cover Mount w/ Nutsert (1538)	£7.50
4	080-0135	1/4" Washer	£0.10
5	080-0112	M6 Nyloc Nut	£0.10
6	040-0005	GX160 Engine (SHQ4)	£235.00
7	080-0178	M6 Flanged Nyloc Nut	£0.20
8	045-0013	Fuel Impulse Pump 4-Cycle	£28.50
9	080-0006	Rubber Floor Tray Washer	£0.15
10	080-0115	M8 Flanged Nyloc Nut	£0.27
11	080-0083	M10 x 25 HEX (Engine Plate-to-Chassis)	£0.15
12	171-0190	Evo3 Cadet Engine Plate (2018)	£20.00
13	080-0218	M6 x 30 HEX (Fuel Pump-to-Engine Plate)	£0.15
14	080-0209	M10 Flanged Nyloc Nut	£0.30
15	080-0101	M8 x 35 HEX (Engine Mount Plate-to-Engine)	£0.25
16	080-0097	M6 x 35 HEX (1538-to-Engine Outside Bolt)	£0.15
17	080-0098	M6 x 40 HEX (1538-to-Engine Inside Bolt)	£0.20
18	171-0087	Evo3 Rear Engine Cover Mount (1993)	£8.00
19	080-0095	M6 x 20 HEX (1993-to-Head Cover)	£0.10
20	080-0145	Ø50mm x 20mm Cylindrical Mounting Bobbin	£3.00
21	080-0000	M10 CSK Washer (83352)	£1.20
22	080-0226	M10 x 16 CSK (Rear Engine Cover-to-Bobbin)	£0.20
23	080-0108	M10 Nyloc Nut	£0.15
24	040-0021	GX160 Engine (RHG4)	£405.00
25	111-0151	Gearbox Shaft End Spacer (60902)	£1.05



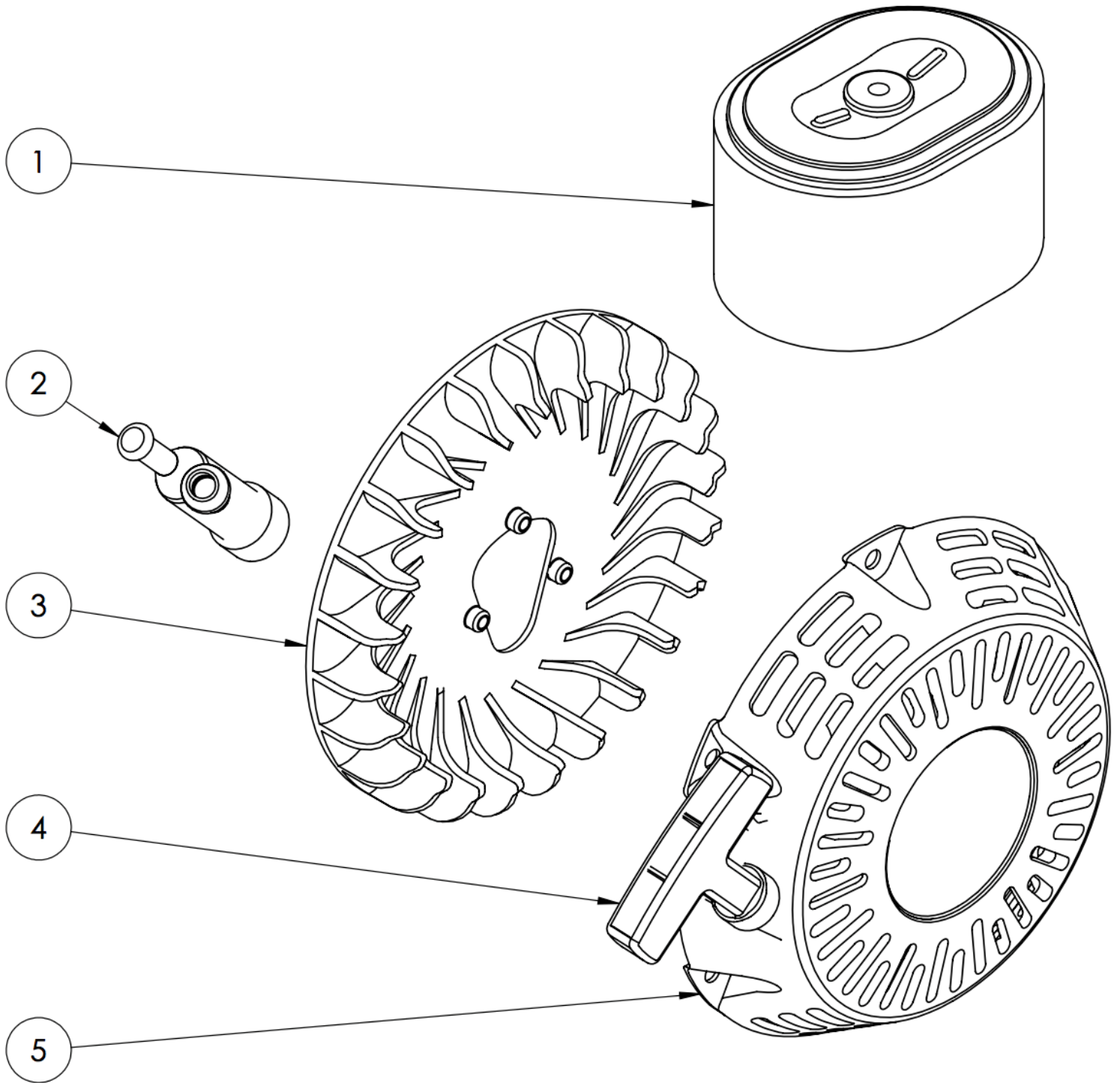
ENGINE (GX160)

ITEM No.	PART No.	DESCRIPTION	PRICE
26	080-0190	M8 Spring Washer	£0.05
27	080-0042	M8 x 30 CAP (Pulley-to-Gearbox)	£0.15
28	100-0020	NG Belt Guard Mount (1749)	£10.00
29	080-0227	M8 x 20 BUT (1749-to-Gearbox) *	£0.20
30	171-0075	NG Belt Guard Mount Spacer (1949)	£2.70
31	100-1030	NG Belt/Pulley Guard 15/671 (BKT381)	£35.00
32	042-0023	Honda GX160 Piston Ring Set	£31.06
33	042-0029	Honda GX160 Piston	£36.09
34	042-0202	Honda Con Rod	£60.59
35	042-0061	Honda Crank Case Dipstick	£5.94
36	042-0203	Honda Crank Case Oil Plug	£7.00
37	042-0204	Honda Oil Drain Plug	£5.00
38	042-0190	Honda Oil Drain Plug Washer	£0.58
39	042-0205	Honda Air Elbow	£35.44
40	042-0206	Honda Plastic Wing Nut	£5.25
41	042-0207	Honda Fan Case Cover	£35.00
42	042-0208	Honda Pull Start	£42.00
43	042-0198	Viton Crank Seal	£8.00
44	085-0027	Throttle Return Spring	£0.45
45	042-0120	GX1000 Circlip	£0.51
46	042-0079	GX1000 Swivel	£3.47

**Add Loctite to bolts to secure*



PATTERN PARTS





PATTERN PARTS

ITEM No.	PART No.	DESCRIPTION	PRICE
1	045-0005	GX160/200 Cotton Air Filter Green	£15.00
2	043-0050	Plug Cap	£6.44
3	043-0038	Flywheel Cooling Fan	£5.13
4	043-0028	Recoil Starter Handle	£2.61
5	043-0023	GX160/200 Pull Start	£17.95
6	043-0029	Pull Start Rope	£2.56
7	043-0070	Air Cleaner Elbow Assembly	£15.00
8	043-0066	GX160/200 Clutch Centre	£15.00
9	043-0067	GX160/200 Basket	£26.00
10	043-0089	Air Box Breather Tube	£1.50
11	043-0031	Engine Switch	£4.95

Please phone +44 (0) 208 443 3300 quoting engine make, model and number when ordering specific engine parts



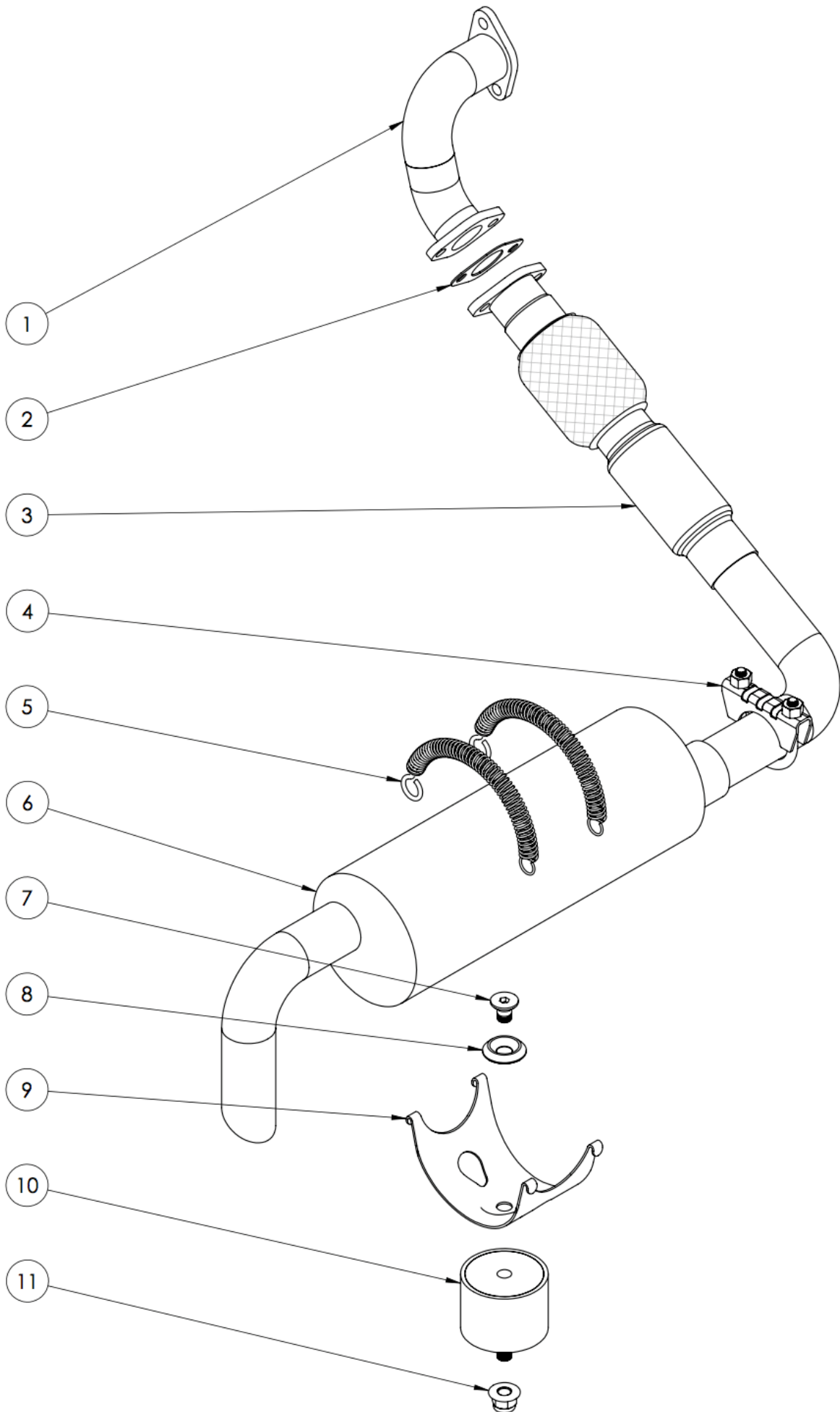
GEARBOX

ITEM No.	PART No.	DESCRIPTION	PRICE
1	042-0066	Oil Filler Cap & Gauge	£10.24
2	042-0138	GX160/200 Centre	£53.53
3	042-0101	GX160/200 Basket	£77.46
4	042-0103	Wet Clutch Plate Spring	£2.25
5	042-0105	Wet Clutch Plate Spring Holder	£1.14
6	042-0145	Wet Clutch Friction Plate (22201822306)	£14.22
7	042-0102	Wet Clutch Metal Plate (22311822610)	£11.34
8	042-0146	Wet Clutch Pressure Plate (22350822610)	£15.62
9	042-0164	PTO Shaft	£112.69
10	042-0118	Thrust Washer	£7.22
11	043-0054	GX160/200 Complete Reduction Gearbox	£185.00
12	043-0049	Gearbox Oil Seal	£3.11
13	043-0048	Gearbox Chain	£12.00
14	042-0209	Gearbox Drain Plug (92800-12000)	£3.00
15	042-0191	Gearbox Drain Plug Washer (94109-12000)	£0.62

Please phone +44 (0) 208 443 3300 quoting engine make, model and number when ordering specific engine parts



EXHAUST





EXHAUST

ITEM No.	PART No.	DESCRIPTION	PRICE
1	045-0100	No.46 Manifold	£20.00
2	043-0057	Exhaust Gasket (Manifold-to-Downpipe)	£1.25
3	045-0034	Super Silent Downpipe Evo3 Cadet (CAT 228D)	£164.00
4	045-0085	Super Silent Exhaust Clamp	£2.00
5	085-0054	Exhaust Cradle Spring	£1.00
6	045-0037	Exhaust Silencer Evo3 Cadet (SIL003)	£75.00
7	080-0226	M10 x 16 CSK (Exhaust Cradle-to-Bobbin)	£0.20
8	080-0000	M10 CSK Washer (83352)	£1.20
9	085-0003	Exhaust Cradle	£6.20
10	080-0151	Exhaust Cradle Bobbin (Ø60mm x 45mm)	£5.00
11	080-0209	M10 Flanged Nyloc Nut	£0.30